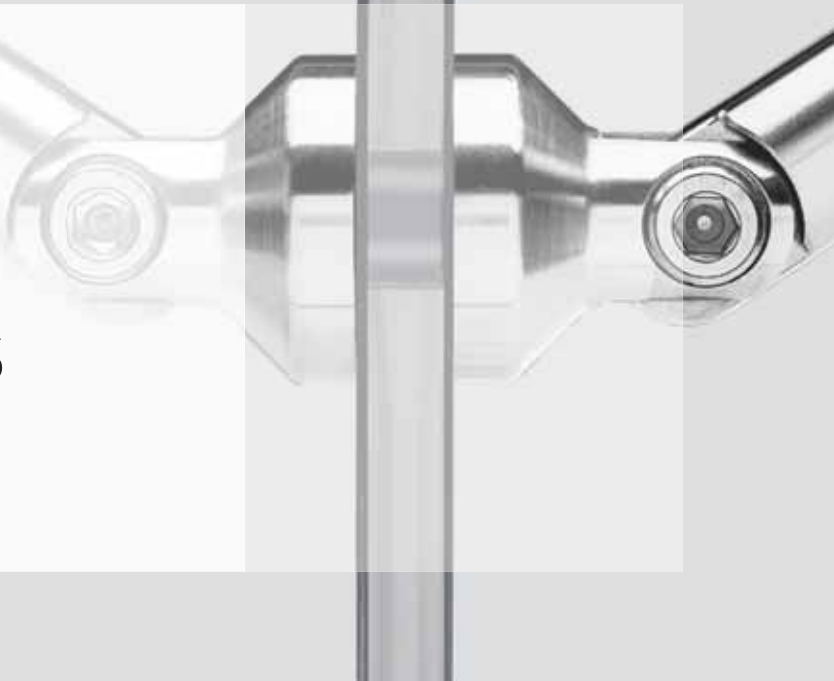




SINGLE-POINT
FIXINGS
FOR INTERIOR
INSTALLATIONS



MANET



CONTENT



MANET CONCEPT

| | |
|----------------------|---------|
| Sliding door system | 6 – 21 |
| Pivoting door system | 22 – 35 |
| Connection system | 36 – 43 |
| Single-point fixings | 44 – 49 |



MANET COMPACT Sets

| | |
|----------------|---------|
| Pivoting doors | 53 – 55 |
| Sliding doors | 56 – 61 |



Pull Handles and recessed pull grip program

| |
|---------|
| 62 – 71 |
|---------|

The glass preparation requirements for the various systems are indicated at the end of each section.

MANET – THE SYSTEM

Glass assembly system

It's good to be able to see clearly if you want to plan ahead. That also certainly applies when it comes to designing office layouts. As well as promoting open communication, transparent interior concepts are particularly generous in appearance. And here, adaptable partitioning and doors of glass certainly help. Offering a flexible modular system, MANET gives planners plenty of scope in room design. The basic component is the single-point fixing, fitting into a countersunk hole to provide a flush finish with the glass surface – an optical highlight common to all the hardware in this range. Adjustable angle

connectors ensure efficient attachment to both the existing building fabric and other glass elements. Integrated swing and sliding door sets, the latter in two design versions, complete the system. For some components, both countersunk and proud single-point fixings are available. Swing door fittings that attach to sidelights and overpanels can be had for glass thicknesses ranging from 10 to 15.5 mm. The fixings for sliding doors are designed as standard for glass panel thicknesses from 8 to 17.5 mm. Further glass thicknesses are also available on request, as is the installation of 20 – 40 mm thick timber door leaves.

Compact Sets

Equally effective visually is the MANET COMPACT system with its standardized swing and sliding door sets. These enable simple, fast configuration of common installation types with 8, 10 or 12 mm glass for doors and 10 and 12 mm glass for overpanels and sidelights, aided by MANET COMPACT planning software. MANET COMPACT sliding door sets come with roller carriers featuring the straight lines of our CLASSIC design. A wide range of accessories ensures that the individual sets can be adapted to an array of application types, with MANET pull handles completing the holistic, integral appearance.

To enable problem-free installation of sliding, double-action and single-action doors, the system components all offer extensive adjustability. Wall abutment profiles may, however, need to be provided by others for fixing glass overpanels and sidelights.



| | MANET CONCEPT | | | | MANET COMPACT | |
|---|---------------------|---------------------|------------------------|-----------------------|--------------------|-------------------|
| | Single-point fixing | Connection system | Pivoting door fittings | Sliding door fittings | Pivoting door sets | Sliding door sets |
| Applications and features | | | | | | |
| Glass | TSG LSG from TSG | TSG LSG from TSG | TSG LSG from TSG | TSG LSG from TSG | TSG | TSG |
| For interior assemblies | ● | ● | ● | ● | ● | ● |
| Max. door weight (kg) | | | 100 | 120 | 80 | 100 |
| Max. door width (mm) | | | 1200 | 1500 | 1200 | 1200 |
| Max. door height | | | 3000 | 3000 | 2500 | 2500 |
| Masonry openings | | ● | ● | ● | ● | ● |
| For standard toughened glass assembly types | | ● | ● | ● | ● | ● |
| For individual designed assemblies | | ● | ● | ● | | |
| Double action door | | | ● | | ● | |
| Single action door | | | ● | | ● | |
| Sliding door | | | | ● | | ● |
| 1-panelled doors | | | ● | ● | ● | ● |
| 2-panelled doors | | | ● | ● | ● | ● |
| Glass thicknesses door (mm) | | | 10 – 15.5 | 8 – 17.5 | 10, 12 | 8, 10, 12 |
| Glass thicknesses overpanel / sidelight | 8 – 17.5 | 8 – 21.5 | 10 – 15.5 | 10 – 17.5 | 10, 12 | 10, 12 |
| Timber thicknesses sliding door (mm) | | | | 20 – 40 | | |
| Installation and adjustability | | | | | | |
| Installation at wall | ● | ● | ● | ● | | ● |
| Installation at ceiling | | ● | ● | ● | ● | |
| Installation at glass | | ● | ● | ● | ● | ● |
| Roller at glass | | | | ● ¹⁾ | | |
| 2-D / 3-D adjustable | ● | ● | ● | ● | ● | ● |
| Installation and adjustability | | | | | | |
| Satin stainless steel 1.4305 | ● | ● | ● | ● | ● | ● |
| Satin stainless steel 1.4404 | on request | on request | on request | on request | | |
| TREND | | | | ● | | |
| CLASSIC | | | | ● | | ● |
| Roller at glass | | | | ● | | |
| Glass preparation | | | | | | |
| countersunk single-point fixings | ● | ● | ● | ● | ● | ● |
| clamping disc single-point fixings | ● | ● | ● | ● | | ● |

¹⁾Max. panel weight 80 kg

All elements including the pull handles are supplied in an elegant stainless steel finish. MANET components come in the steel grade 1.4305 (AISI 303) for normal interior applications. Certain selected fittings are also available in 1.4404 (AISI 316L) for damp room and external applications (not suitable saunas or indoor

swimming pools). The materials necessary for your application can be determined from Table 1 of General Building Inspectorate Approval Z-30.3-6 .

Note: The products detailed in this brochure are exclusively intended for glass constructions that do not require special individual inspectorate approval.



Awarded with the design prize red dot 2002

MANET CONCEPT



Sliding door system

6 – 21



SLIDING DOOR SYSTEM

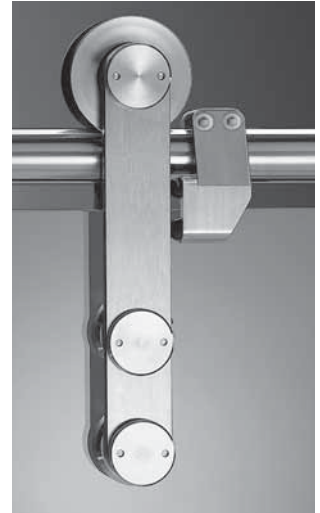
The MANET sliding door system is ideal as an elegant addition complementing high-style interior concepts. Its main components take the form of a solid track rail and the roller carrier. Whether you prefer the TREND or CLASSIC versions, both can be combined with the solid track or a tubular track. The range includes both glass-flush and proud single-point fixings. The sliding door system allows plenty of scope for individual ideas.

In addition to the standard versions incorporated in toughened glass partitions or face-fixed on masonry openings, this hardware system can also be used to construct curved sliding doors, biparting sliding doors and parallel sliding doors.

The fittings are designed for a door weight of max. 120 kg, resp. 80 kg with roller to glass. Mechanical stops that can be positioned on the track rail ensure that the door travel distance is effectively limited.

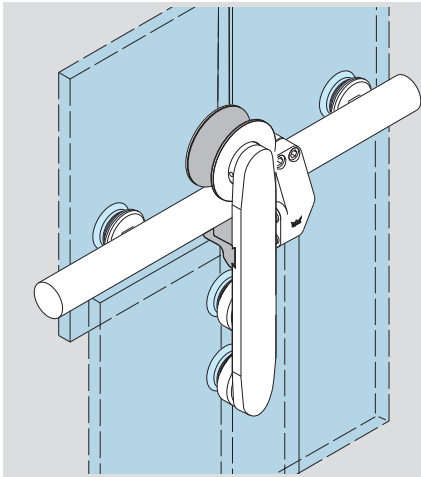


Roller carrier TREND

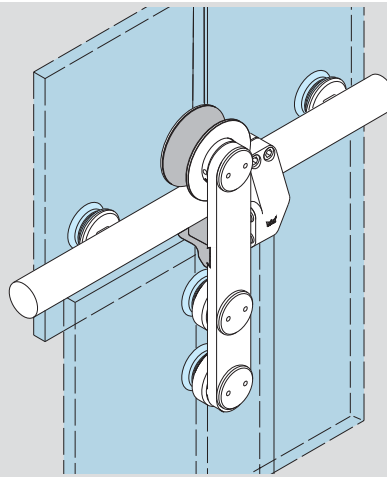


Roller carrier CLASSIC

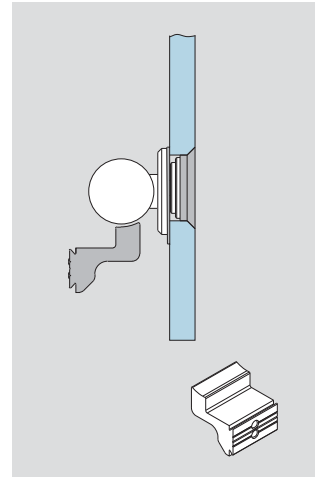
Glass connection with drilled solid tracks



Roller carrier TREND

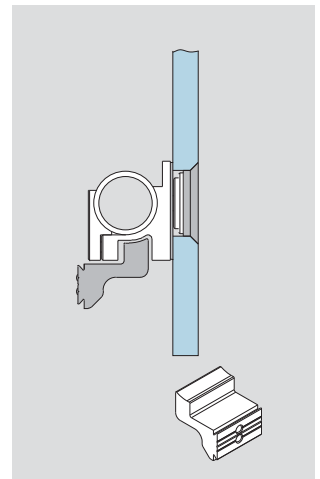
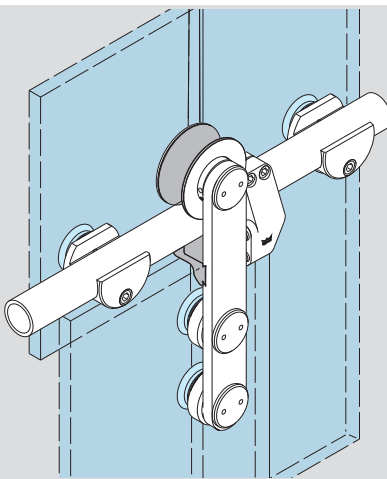
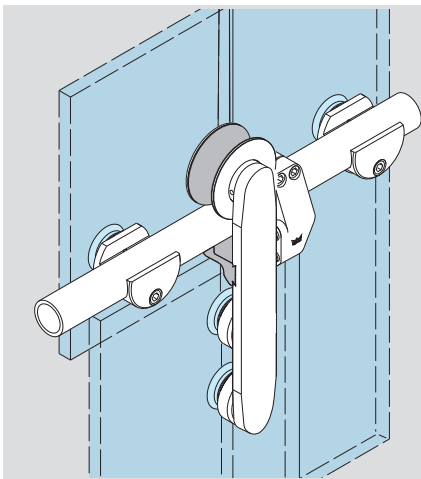


Roller carrier CLASSIC

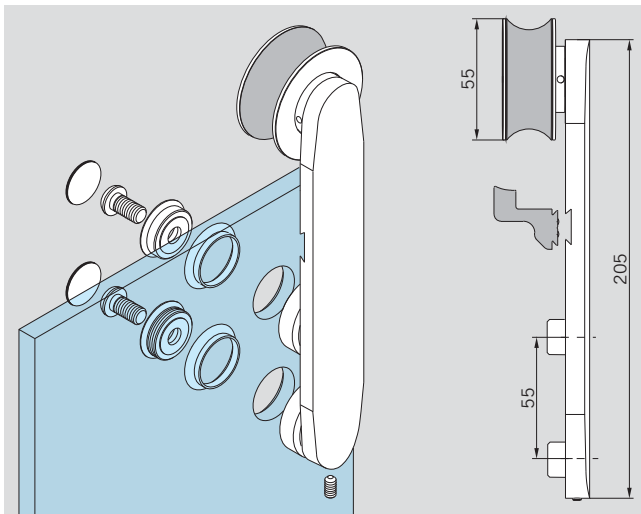


An accordant anti-jump device for solid and tubular tracks will be used.

Glass connection with clamp fixing and tubular tracks

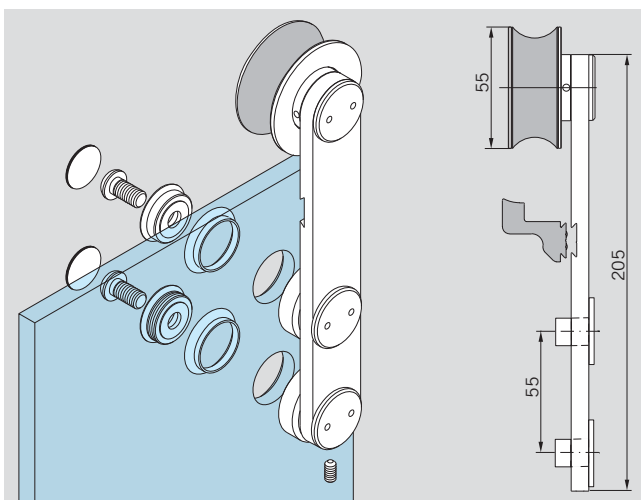


ROLLER CARRIER



Roller carrier TREND
incl. anti-jump device
only lug with roller

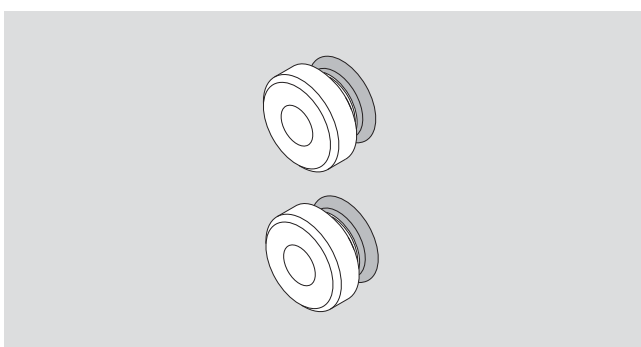
Art. No. 29.424



Roller carrier CLASSIC
incl. anti-jump device
only lug with roller
AISI 316L

Art. No. 29.422

Art. No. 29.423



Single-point fixing
for roller carrier, 2 pcs. each
countersunk 8 – 12 mm glass

Art. No. 29.430

AISI 316L

Art. No. 29.431

clamping disc 8 – 12 mm glass

Art. No. 29.432

AISI 316L

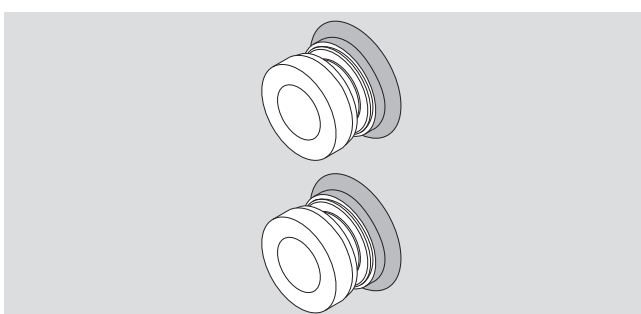
Art. No. 29.433

countersunk for
13.5 – 17.5 mm glass

Art. No. 29.435

countersunk for 19 mm glass

Art. No. 29.437



Single-point fixings
for roller carrier at timber,
2 pcs. each
countersunk for 20 – 40 mm
timber

Art. No. 29.510

clamping disc for 20 – 40 mm
timber

Art. No. 29.520

SOLID TRACK

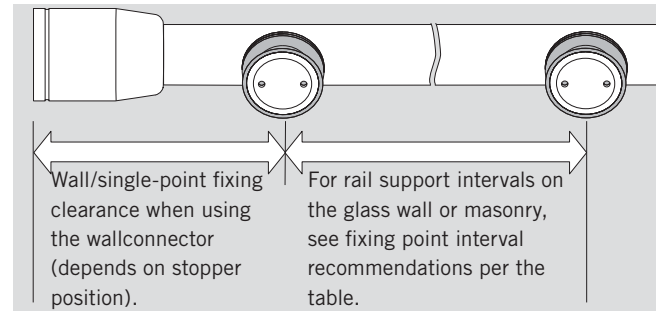
Track supply and installation

The track rail for the sliding door is pre-fabricated according to the customer's drawing and supplied together with the glass or wall brackets ordered for the application concerned.

Fixing screws for wall installation by others

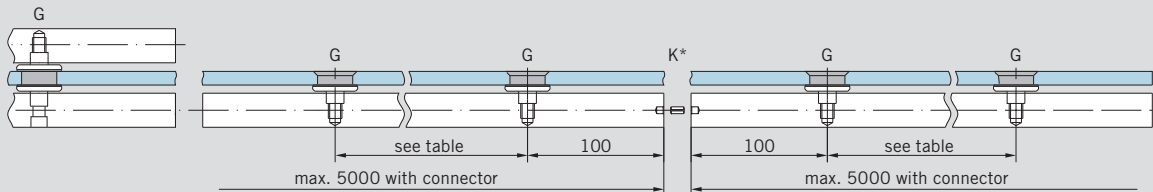
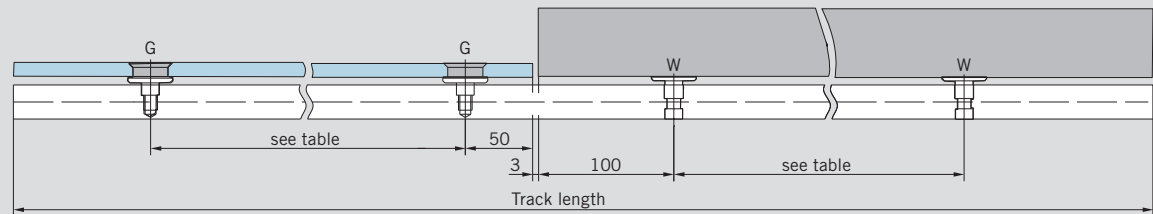
Of decisive importance for pre-fabrication and fixing to glass partitions is that the mounting points coincide with the holes drilled in the glass. The lengthwise tolerances should not be greater than ± 0.3 mm.

Caution! Ensure that the stops/single-point fixings are positioned at locations appropriate to the width of the door.

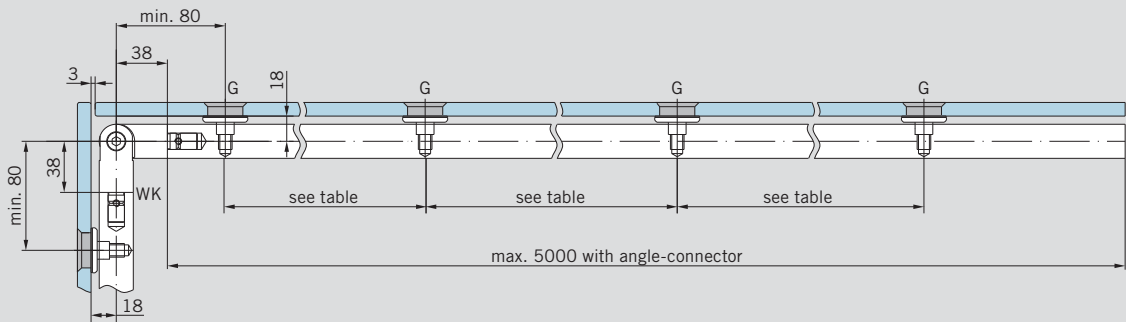


Required dimensions for the track production

- G = Fixing point at glass
- W = Fixing point at wall
- K = Connection
- WK = Angle-connection



* Note! Ensure that track joints and glass joints do not coincide



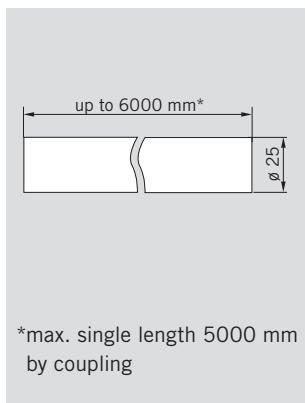
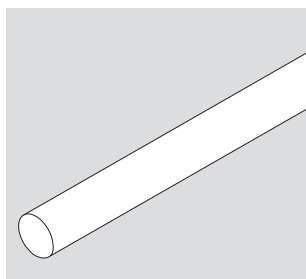
Recommended distance of the track fixing points

| Door height in mm | Door width in mm | | | | | | | | | | | | | | | | | | | | | | | |
|-------------------|------------------|-----------------|-----------------|-----------------|-----------------|-----------------|-----------------|-----------------|-----------------|-----------------|-----------------|-----------------|-----------------|-----------------|-----------------|-----------------|-----------------|-----------------|-----------------|-----------------|-----------------|-----------------|-----------------|-----|
| | 700 | | | 800 | | | 900 | | | 1000 | | | 1100 | | | 1200 | | | 1300 | | | 1400 | | |
| | Glass thckn. mm | Glass thckn. mm | Glass thckn. mm | Glass thckn. mm | Glass thckn. mm | Glass thckn. mm | Glass thckn. mm | Glass thckn. mm | Glass thckn. mm | Glass thckn. mm | Glass thckn. mm | Glass thckn. mm | Glass thckn. mm | Glass thckn. mm | Glass thckn. mm | Glass thckn. mm | Glass thckn. mm | Glass thckn. mm | Glass thckn. mm | Glass thckn. mm | Glass thckn. mm | Glass thckn. mm | Glass thckn. mm | |
| 1900 | 770 | 710 | 670 | 770 | 720 | 670 | 770 | 710 | 670 | 760 | 710 | 670 | 760 | 700 | 660 | 750 | 700 | 650 | 740 | 690 | 650 | 730 | 680 | 640 |
| 2000 | 750 | 700 | 650 | 750 | 700 | 660 | 750 | 700 | 650 | 740 | 690 | 650 | 740 | 680 | 640 | 730 | 680 | 640 | 720 | 670 | 630 | 720 | 660 | 630 |
| 2100 | 730 | 680 | 640 | 730 | 680 | 640 | 730 | 680 | 640 | 730 | 670 | 630 | 720 | 670 | 630 | 710 | 660 | 620 | 710 | 660 | 620 | 700 | 650 | 610 |
| 2200 | 710 | 660 | 620 | 710 | 660 | 620 | 710 | 660 | 620 | 710 | 660 | 620 | 700 | 650 | 610 | 700 | 650 | 610 | 690 | 640 | 600 | 680 | 630 | 600 |
| 2300 | 690 | 640 | 610 | 700 | 650 | 610 | 700 | 640 | 610 | 690 | 640 | 600 | 690 | 640 | 600 | 680 | 630 | 600 | 680 | 630 | 590 | 670 | 620 | 580 |
| 2400 | 680 | 630 | 590 | 680 | 630 | 590 | 680 | 630 | 590 | 680 | 630 | 590 | 670 | 620 | 590 | 670 | 620 | 580 | 660 | 610 | 580 | 660 | 610 | - |
| 2500 | 660 | 610 | 580 | 670 | 620 | 580 | 670 | 610 | 580 | 660 | 620 | 580 | 660 | 610 | 580 | 650 | 610 | 570 | 650 | 600 | 570 | 640 | 600 | - |

SOLID TRACK AND ACCESSORIES

Solid track

The track rail is prefabricated per customer specifications/ drawing with all the necessary drill holes already provided.



Track, drilled
for fixing at glass
fixed length up to 6000 mm

Art. No. 21.405

AISI 316L

Art. No. 21.456

for fixing at wall
up to 6000 mm

Art. No. 21.406

AISI 316L

Art. No. 21.457

Track, undrilled
for fixing with clamp brackets
fixed length up to 6000 mm

Art. No. 21.407

do. AISI 316L

Art. No. 21.458

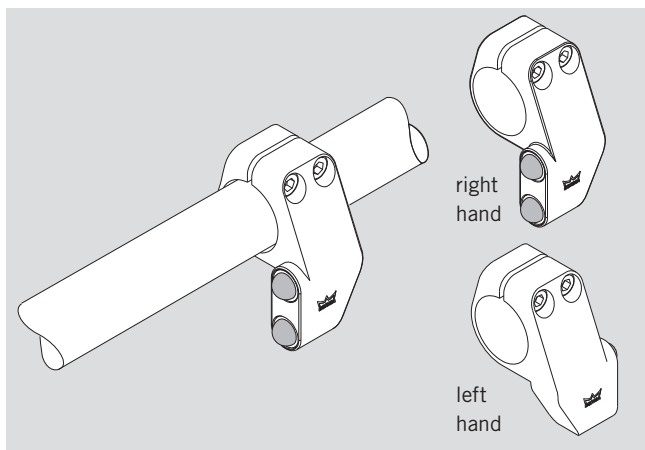
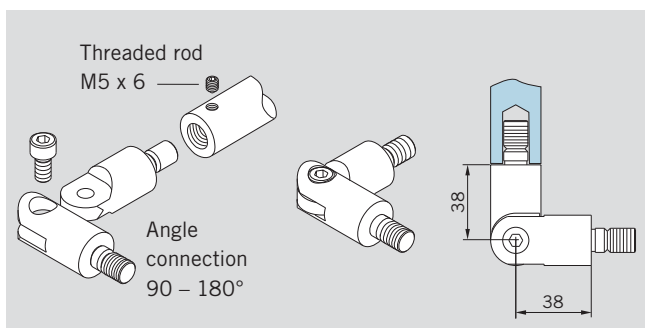
Connectors

offset for tracks 90 – 180°

Art. No. 21.442

do. AISI 316L

Art. No. 21.443



Door stop

left hand

Art. No. 29.425

AISI 316L

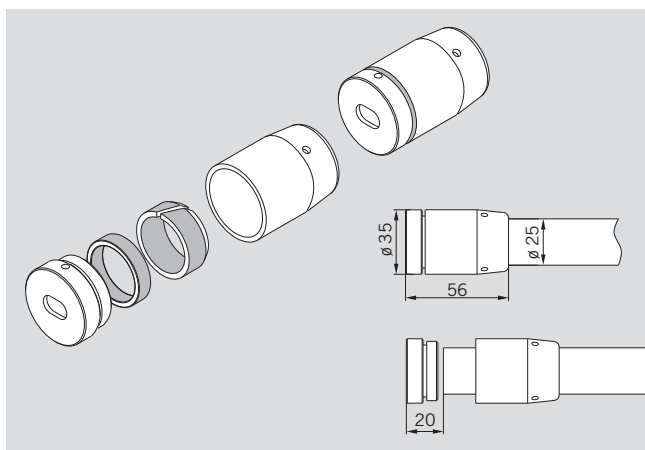
Art. No. 29.427

right hand

Art. No. 29.426

AISI 316L

Art. No. 29.428



Wall fixing for tubular track / solid track

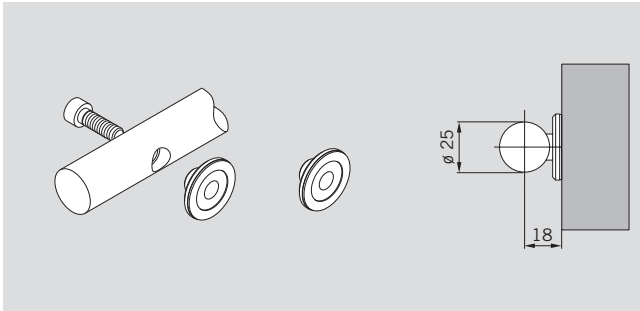
Art. No. 29.445

AISI 316L

Art. No. 29.446

SOLID TRACK AND ACCESSORIES

Solid track fixing at wall



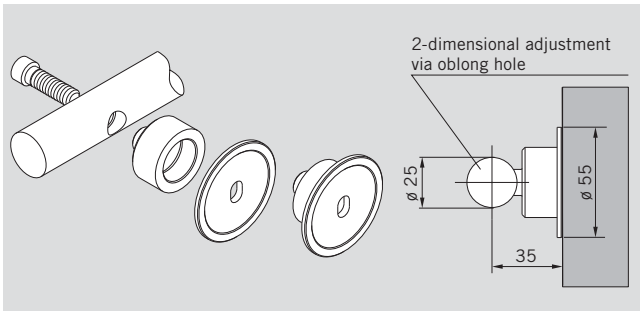
Flange for fixing the track at wall

AISI 316L

Art. No. 21.346

Art. No. 21.347

Solid track fixing at wall, adjustable



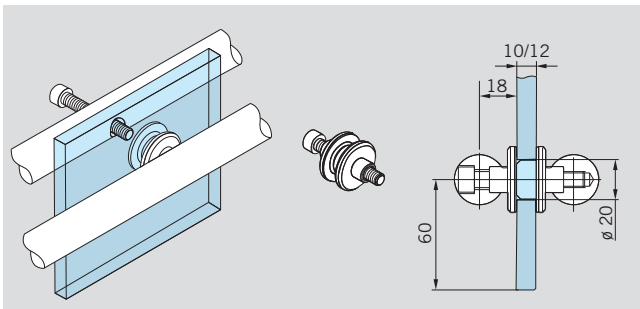
Flange for fixing the track at wall, adjustable

Adjustment + 5 mm

Note: Min. distance glass to wall 32 mm

Art. No. 21.412

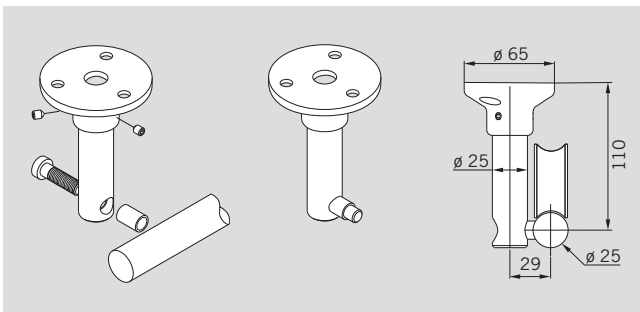
Fixing a double track



Fixing for double track

Art. No. 21.170

Solid track fixing at ceiling

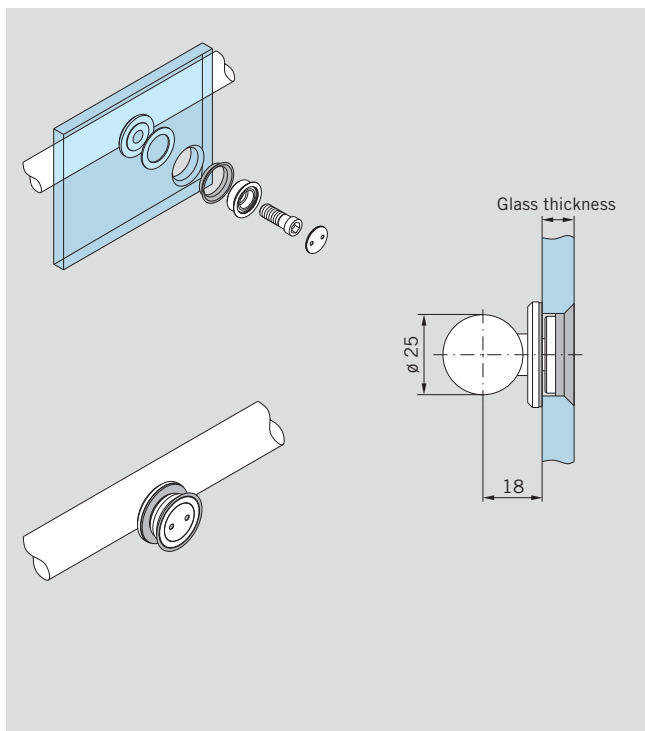


Ceiling retainer for track

carrying function

Art. No. 21.315

Single-point fixing for solid track fixing at glass



for X = 20 – 30 mm
Single-point fixing,

countersunk, fixed
for 10/12 mm glass **Art. No. 29.460**

AISI 316L **Art. No. 29.461**

for 13.5 – 15.5 mm glass **Art. No. 29.450**

for 17.5 mm glass **Art. No. 29.451**

clamping disc, fixed
for 10/12 mm glass **Art. No. 29.465**

AISI 316L **Art. No. 29.466**

countersunk, centring
for 10/12 mm glass **Art. No. 29.462**

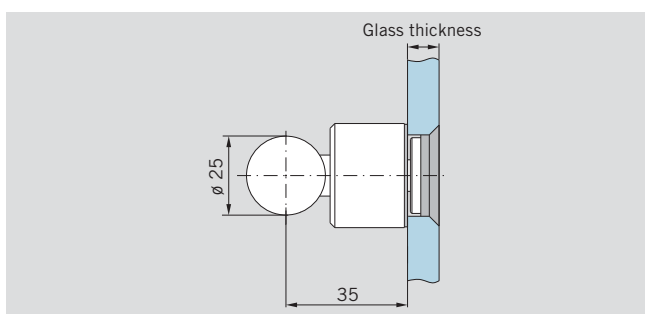
AISI 316L **Art. No. 29.463**

for 13.5 – 15.5 mm glass **Art. No. 29.455**

for 17.5 mm glass **Art. No. 29.456**

clamping disc, centring
for 10/12 mm glass **Art. No. 29.467**

AISI 316L **Art. No. 29.468**

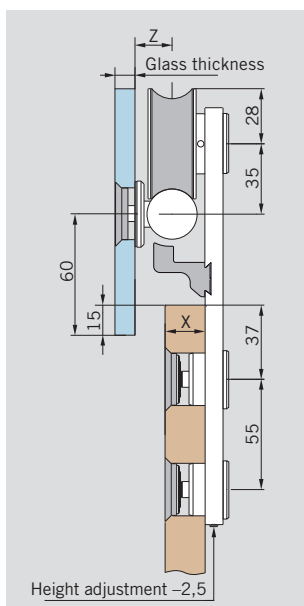


for X = 35 – 40 mm
Single-point fixing,

countersunk, fixed
for 10/12 mm glass **Art. No. 29.530**

countersunk, centring
for 10/12 mm glass **Art. No. 29.531**

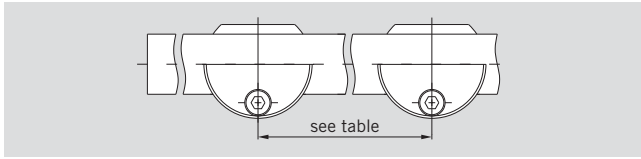
Selection guide, Solid track fixing for timber doors



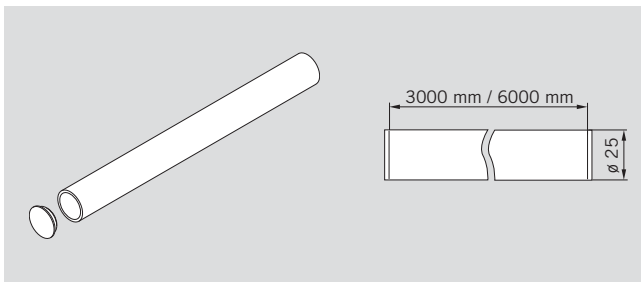
| X | Z | max. door weight kg | to glass 10/12 mm | | to wall | | |
|---------|------|---------------------------|--|---|---------------------------------|----------------------------|--------|
| | | | Single-point fixing fixed for track Art. No. | Single-point fixing centring for track Art. No. | Flange for track Art. No. | | |
| 20 – 30 | 18.5 | 120 | countersunk 29.460 | clamping disc 29.465 | countersunk 29.462 | clamping disc 29.467 | 21.346 |
| 35 – 40 | 35 | 100 | 29.530 | – | 29.531 | – | 21.412 |

TUBULAR TRACKS AND ACCESSORIES

Recommended distance of the track fixing points



| Door height in mm | Door width in mm | | | | | | | | | | | | | | | | | | | | | | | | | | |
|-------------------|------------------|------------------|------------------|------------------|------------------|------------------|------------------|------------------|------------------|------------------|------------------|------------------|------------------|------------------|------------------|------------------|------------------|------------------|------------------|------------------|------------------|------------------|------------------|-----|-----|-----|-----|
| | 700 | | | 800 | | | 900 | | | 1000 | | | 1100 | | | 1200 | | | 1300 | | | 1400 | | | | | |
| | Glass thickn. mm | Glass thickn. mm | Glass thickn. mm | Glass thickn. mm | Glass thickn. mm | Glass thickn. mm | Glass thickn. mm | Glass thickn. mm | Glass thickn. mm | Glass thickn. mm | Glass thickn. mm | Glass thickn. mm | Glass thickn. mm | Glass thickn. mm | Glass thickn. mm | Glass thickn. mm | Glass thickn. mm | Glass thickn. mm | Glass thickn. mm | Glass thickn. mm | Glass thickn. mm | Glass thickn. mm | Glass thickn. mm | | | | |
| 1900 | 8 | 10 | 12 | 8 | 10 | 12 | 8 | 10 | 12 | 8 | 10 | 12 | 8 | 10 | 12 | 8 | 10 | 12 | 8 | 10 | 12 | 8 | 10 | 12 | 8 | 10 | 12 |
| 2000 | 350 | 350 | 350 | 400 | 400 | 400 | 450 | 450 | 450 | 500 | 500 | 500 | 550 | 550 | 530 | 600 | 550 | 520 | 590 | 550 | 510 | 580 | 540 | 510 | 570 | 530 | 500 |
| 2100 | 350 | 350 | 350 | 400 | 400 | 400 | 450 | 450 | 450 | 500 | 500 | 500 | 550 | 550 | 530 | 500 | 570 | 530 | 500 | 560 | 520 | 490 | 560 | 520 | 490 | 560 | 520 |
| 2200 | 350 | 350 | 350 | 400 | 400 | 400 | 450 | 450 | 450 | 500 | 500 | 500 | 550 | 550 | 520 | 490 | 550 | 510 | 480 | 550 | 510 | 480 | 540 | 500 | 470 | 540 | 500 |
| 2300 | 350 | 350 | 350 | 400 | 400 | 400 | 450 | 450 | 450 | 500 | 500 | 500 | 550 | 550 | 510 | 480 | 540 | 500 | 470 | 540 | 500 | 470 | 530 | 490 | 460 | 530 | 490 |
| 2400 | 350 | 350 | 350 | 400 | 400 | 400 | 450 | 450 | 450 | 500 | 500 | 500 | 530 | 500 | 470 | 530 | 490 | 460 | 530 | 490 | 460 | 520 | 480 | 450 | 510 | 470 | 440 |
| 2500 | 350 | 350 | 350 | 400 | 400 | 400 | 450 | 450 | 450 | 500 | 500 | 500 | 520 | 490 | 460 | 520 | 480 | 450 | 520 | 480 | 450 | 510 | 470 | 440 | 510 | 470 | 440 |



Tubular track

incl. end plugs
stock length 3000 mm

Art. No. 21.527

AISI 316L

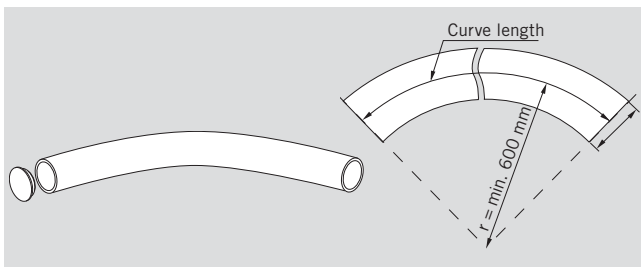
Art. No. 21.530

Fixed length up to 6000 mm

Art. No. 21.436

AISI 316L

Art. No. 21.532

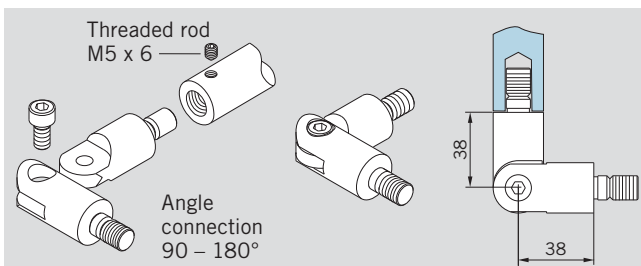


Tubular track

bent, incl. end plugs
max. curve length 2600 mm
max. curve length 5600 mm

Art. No. 21.409

Art. No. 21.413

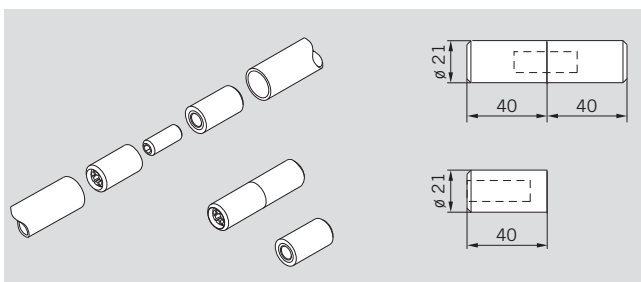


Angled connection for tubular track, 90° - 180°

Art. No. 21.535

Angle connection for tubular track

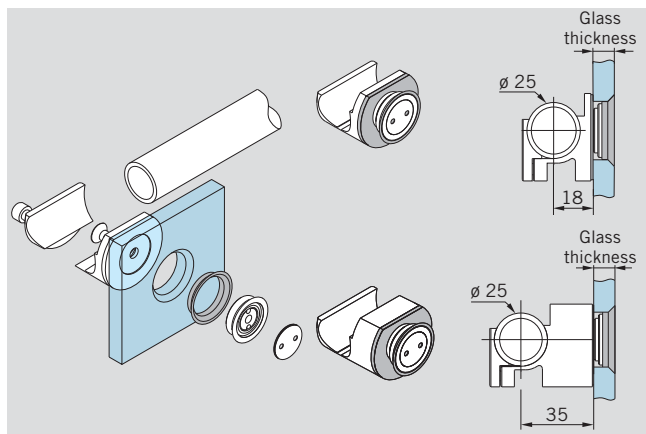
Art. No. 29.506



Thread insert for tubular track

Art. No. 29.505

Tubular track fixing at glass



Clamp fixing

for tubular track at glass
single-point fixing countersunk* **Art. No. 29.176**

AISI 316L **Art. No. 29.185**

single-point fixing, clamping disc* **Art. No. 29.177**

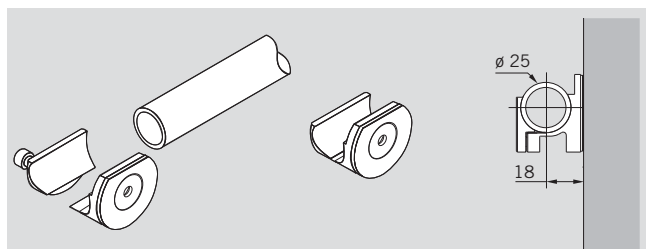
AISI 316L **Art. No. 29.186**

16 mm extended
single-point fixing countersunk* **Art. No. 29.179**

single-point fixing, clamping disc* **Art. No. 29.180**

*for 10, 12 and 13.5 mm glass

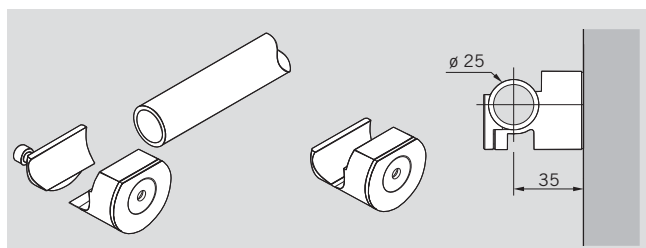
Tubular track fixing at wall



Clamp fixing

for tubular track at wall **Art. No. 29.175**

AISI 316L **Art. No. 29.184**

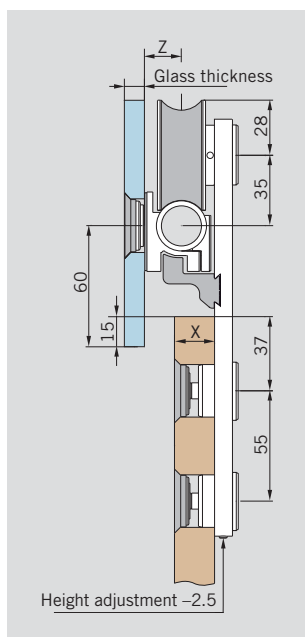


Clamp fixing

for tubular track at wall
16 mm extended **Art. No. 29.178**

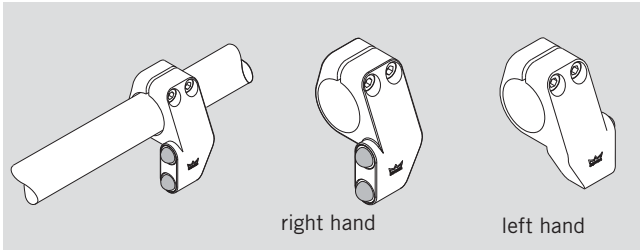
AISI 316L **Art. No. 29.187**

Selection guide, tubular track fixing for timber doors



| X mm | Z mm | max. door weight kg | to glass | | to wall | |
|---------|---------|---------------------------|--|--|---------------|---------------|
| | | | Clamp fixing for track Art. No. | Clamp fixing for track Art. No. | countersunk | clamping disc |
| 20 – 30 | 18.5 | 120 | 29.175 | | 29.176 | 29.177 |
| 35 – 40 | 35 | 100 | 29.178 | | 29.179 | 29.180 |

TUBULAR TRACK AND ACCESSORIES



Door stop

left hand

Art. No. 29.425

AISI 316L

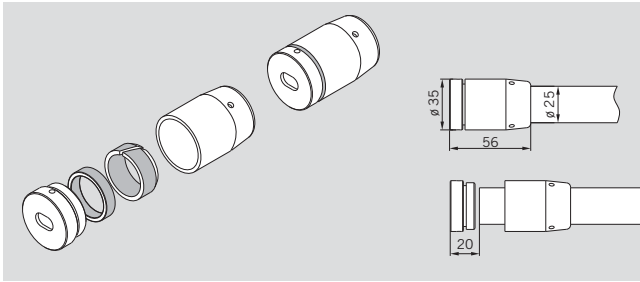
Art. No. 29.427

right hand

Art. No. 29.426

AISI 316L

Art. No. 29.428



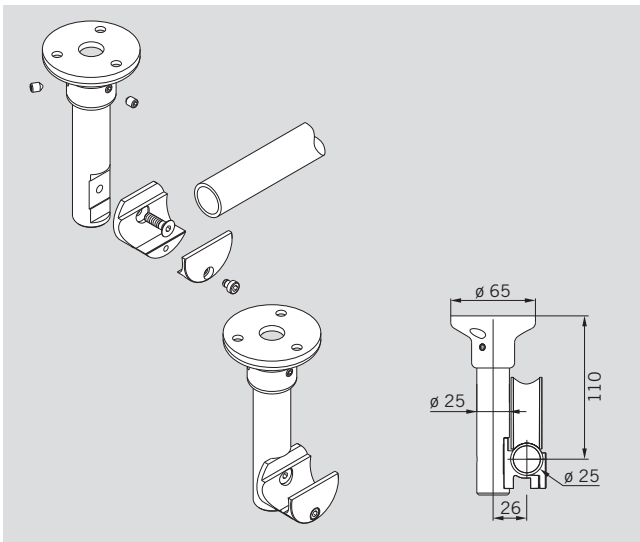
Wall fixing for tubular track / solid track

Art. No. 29.445

AISI 316L

Art. No. 29.446

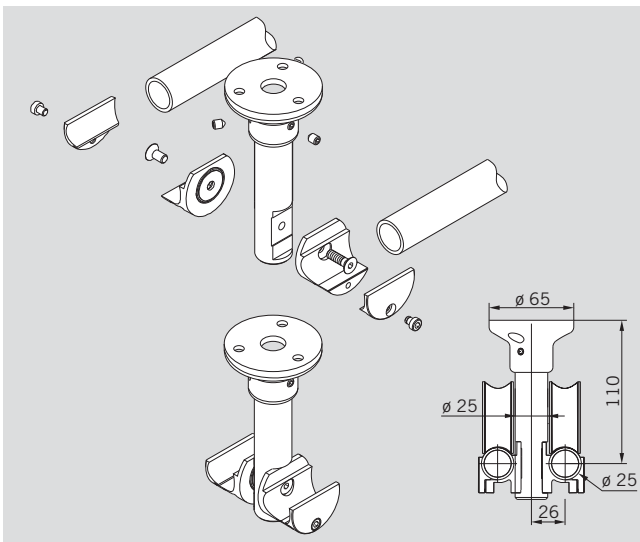
Tubular track fixing at ceiling



Ceiling retainer

for tubular track,
carrying function

Art. No. 21.316

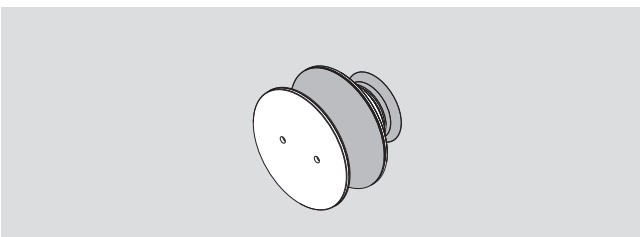
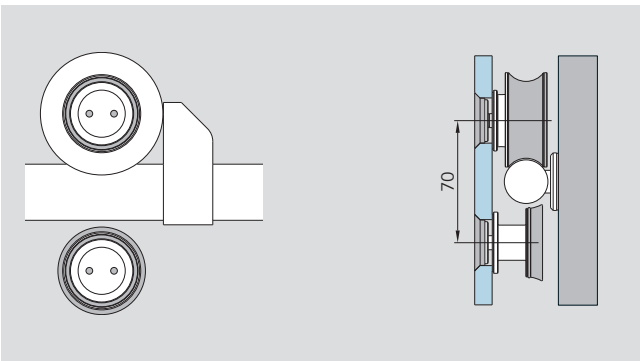
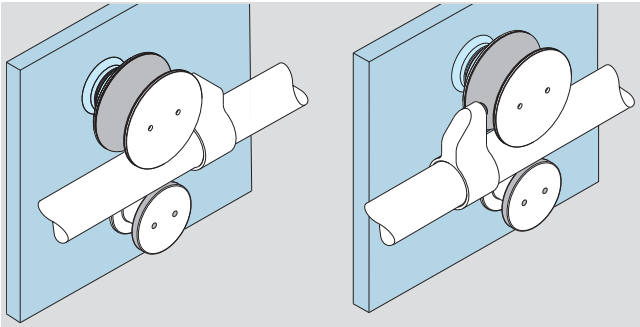


Ceiling retainer doubly

for tubular track,
carrying function

Art. No. 21.317

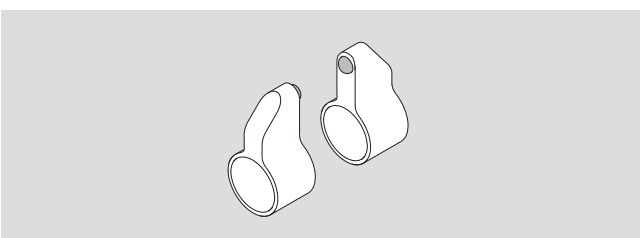
Roller at glass



Roller at glass
for 8 – 12 mm glass,
countersunk
clamping disc

Art. No. 29.494

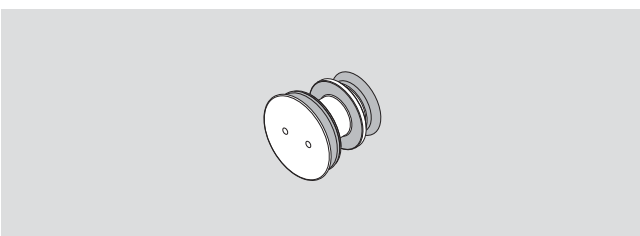
Art. No. 29.495



Door stop
for roller at glass,
left hand and right hand usable
AISI 316L

Art. No. 29.493

Art. No. 29.483

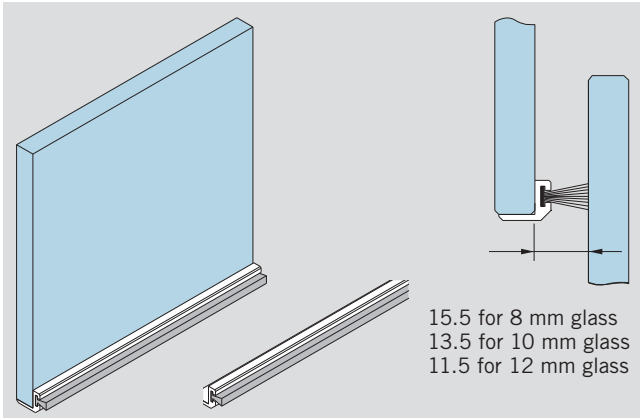


Anti-jump device
for roller at glass
for 8 – 12 mm glass,
countersunk
clamping disc

Art. No. 29.497

Art. No. 29.498

ACCESSORIES



Aluminium brush profile
similar satin stainless steel

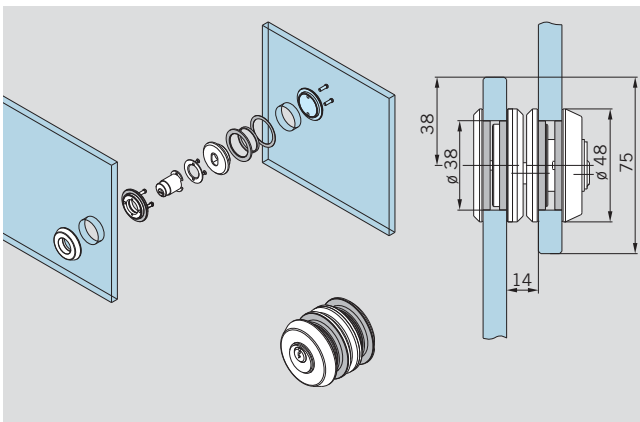
for 8 mm glass
stock length 3000 mm
fixed length up to 6000 mm
for 10/12 mm glass
stock length 3000 mm
fixed length up to 6000 mm

Art. No. 07.402

Art. No. 07.403

Art. No. 07.400

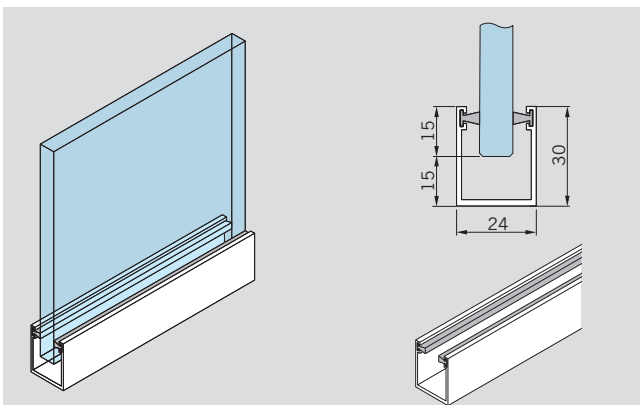
Art. No. 07.401



Sliding door lock with ratchet brace

for 8/10/12 mm glass
AISI 316L

Art. No. 21.446

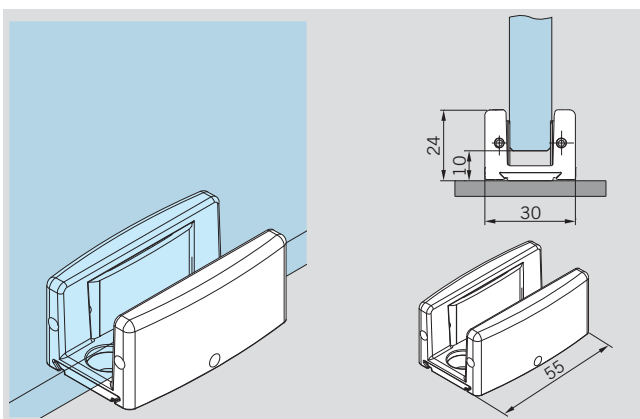


Guide rail with brush seals
applicable for
8/10/12 mm glass

aluminium mill finished
fixed length up to 6000 mm
stock length 3000 mm

Art. No. 21.431

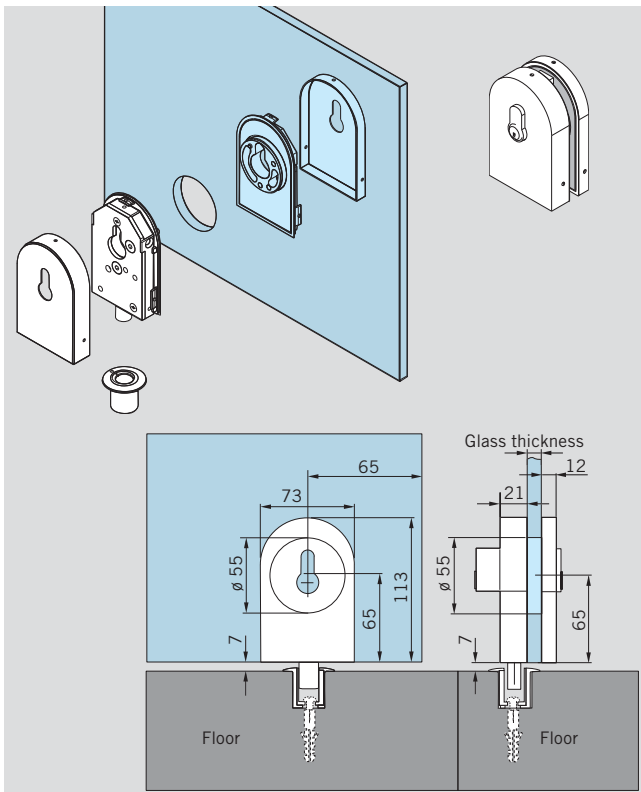
Art. No. 21.432



Floor guide
clamping disc,
applicable for
8/13.5 mm glass

Art. No. 07.316
aluminium 113
(similar satin stainless steel)

Art. No. 07.316

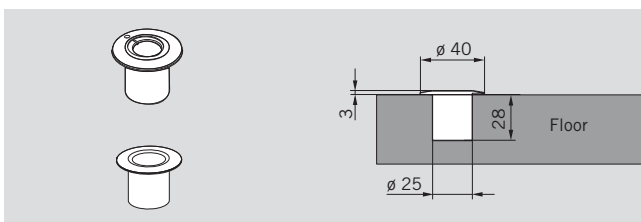


Corner lock
for 8 – 12 mm glass, **Art. No. 21.448**

Corner lock
with profile cylinder rose
on inside
for 8 – 12 mm glass **Art. No. 21.449**

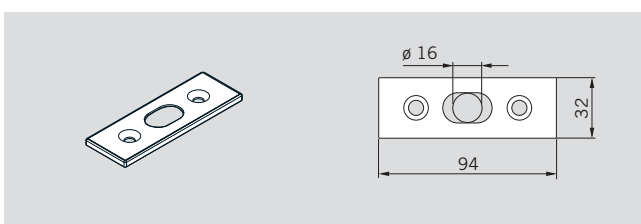
Dead lock for KABA
with rose on inside
for 8 – 12 mm glass **Art. No. 21.450**

Profile cylinder
for corner lock **Art. No. 14.206**

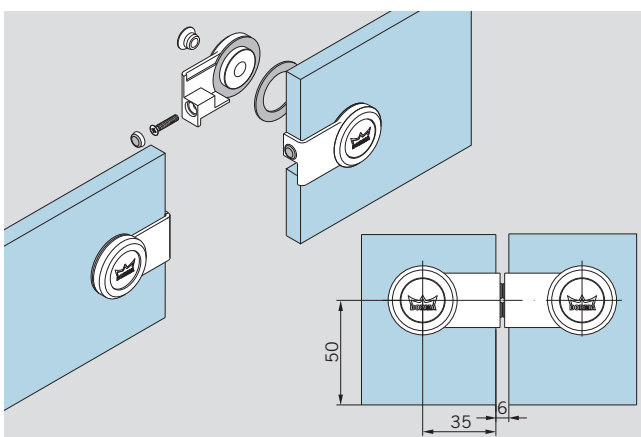


Eccentric bushing
for corner lock **Art. No. 05.194**

Bushing, plastics
Art. No. 00.110



Strike plate **Art. No. 05.190**

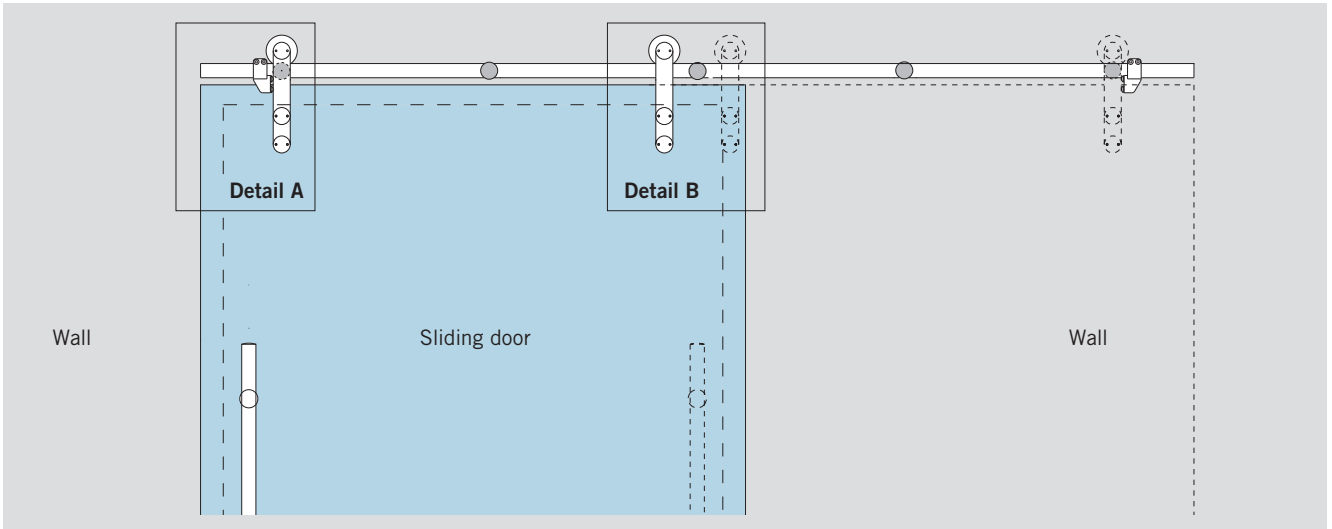


Door steady,
to prevent glass edges of
bi-parting double sliding doors **Art. No. 29.420**

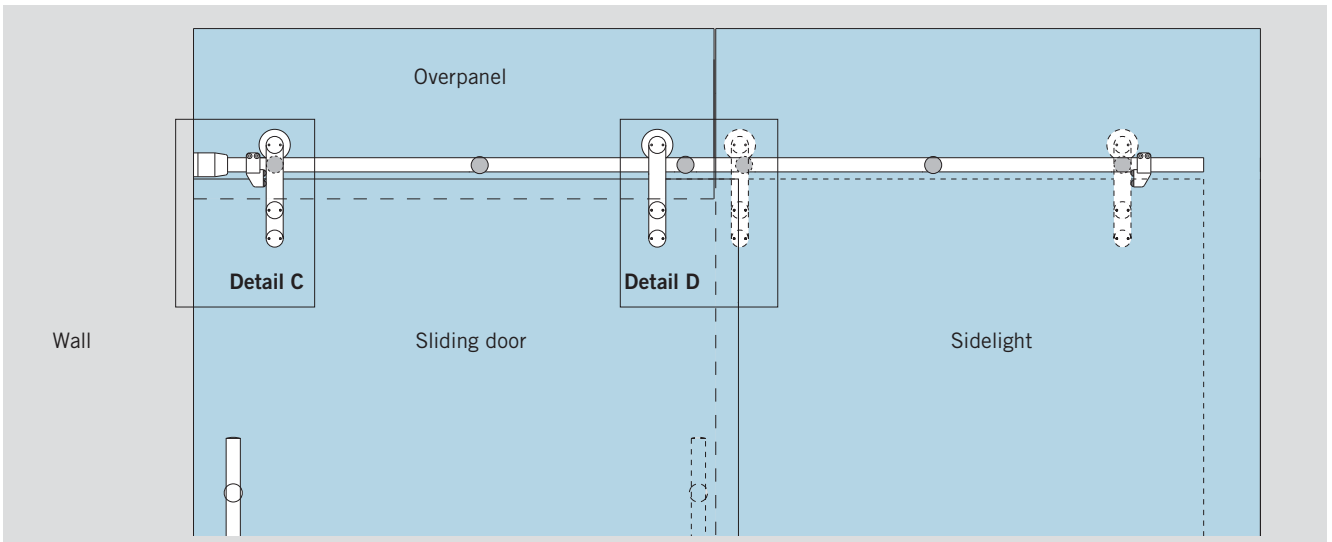
Please order for details for glass
preparations our detail sheet
29-044-B.

GLASS PREPARATION FOR SLIDING DOOR SYSTEM

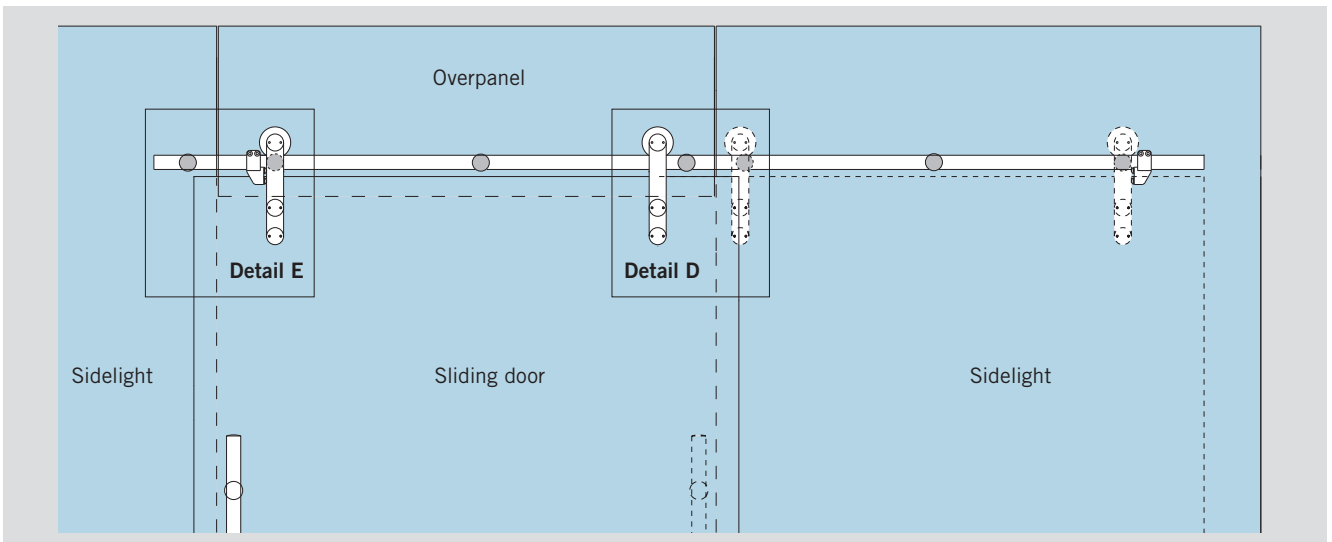
Sliding door to wall

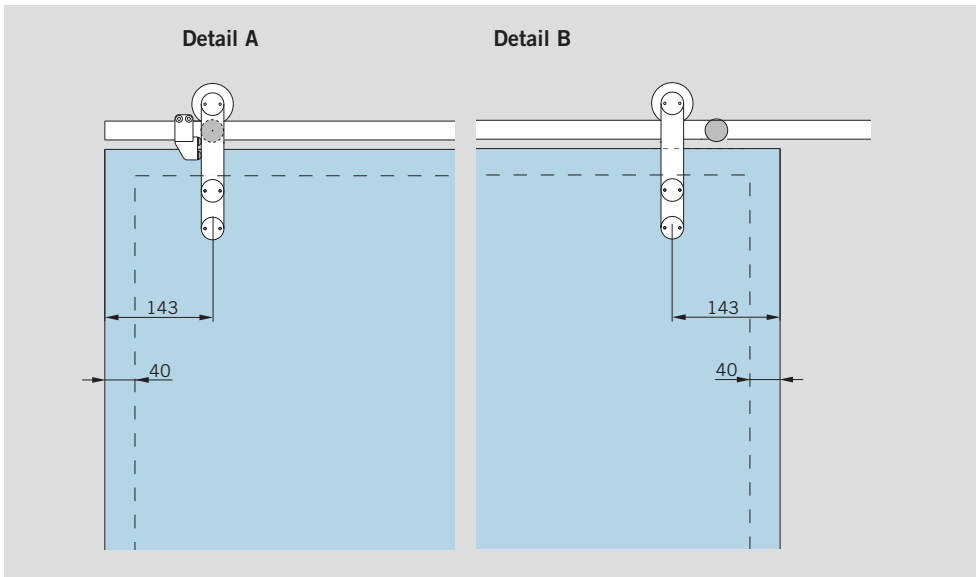


Sliding door with sidelight and overpanel

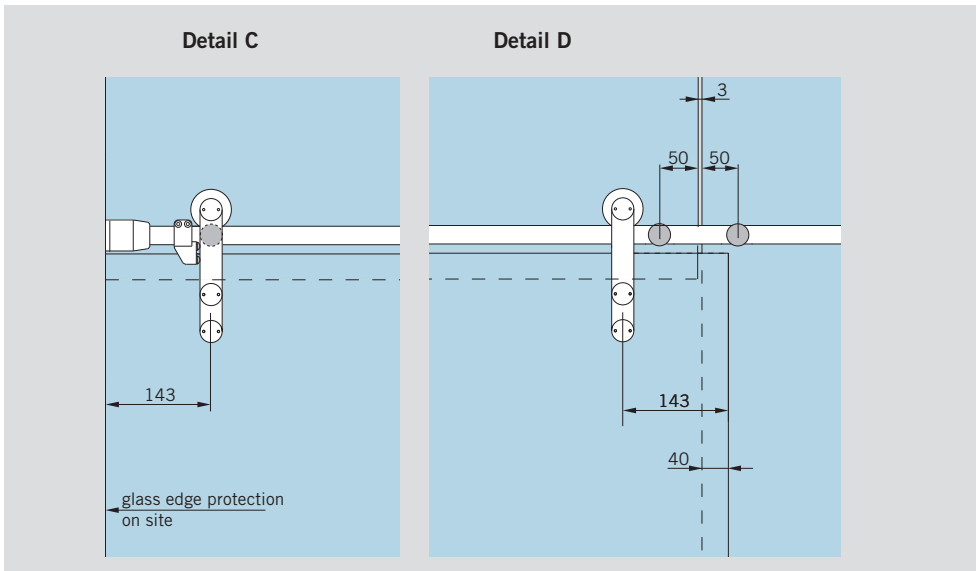
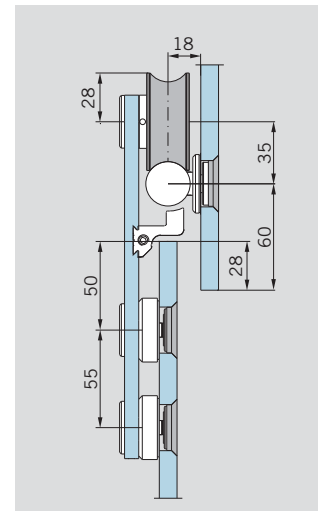


Sliding door with two sidelights and overpanel

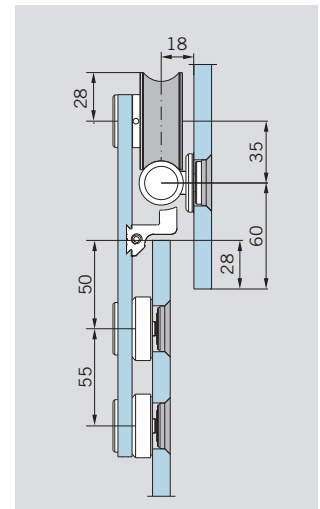




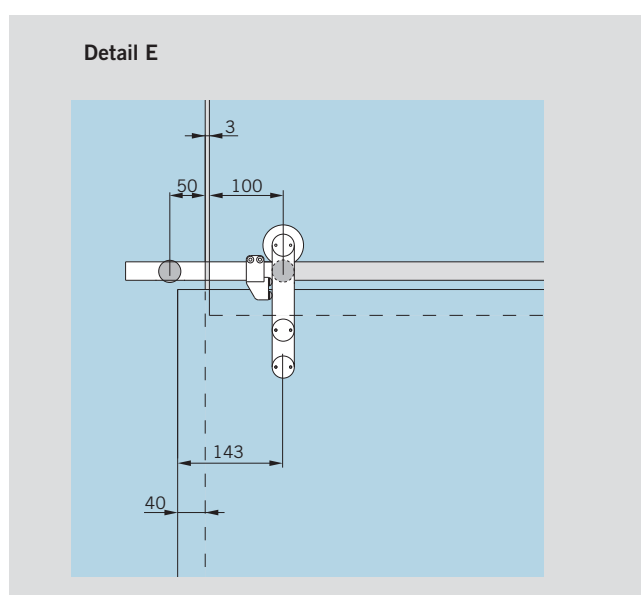
Sliding door with solid track



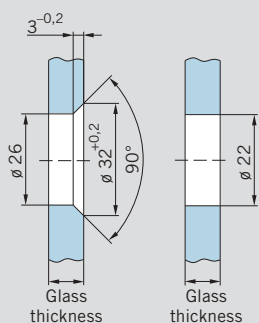
Sliding door with tubular track and clamp fixing



Dimensional data should be regarded exclusively as recommended values.
 Please remember when designing your system that the positions of the stops and point fixings must not vertically coincide.
 For spacing/interval recommendations when drilling the track holes, and for requisite dimensions for fixing the track rail, please refer to the table entitled "Recommended distance of the track fixing points".



| | |
|---|---|
| Countersunk bore for countersunk single-point fixings | Cylindrical bore for clamping disc single-point fixings |
|---|---|



MANET CONCEPT

Pivoting door system

22 – 35



PIVOTING DOOR SYSTEM

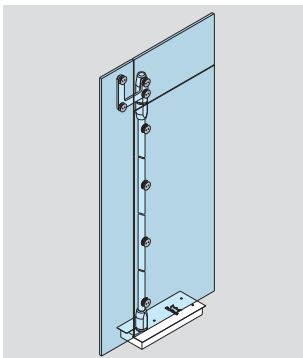
MANET pivoting doors can be installed in both glass partitions and masonry openings. They come as both single and double-action swing doors with a maximum weight of 100 kg and a maximum leaf width of 1200 mm.

All the single-point fixings are designed for clip-on covers for easier installation. Other components include the bottom pivot bearing, top pivot fittings with bearing spigot or eccentric bushing and also overpanel/sidelight connectors.

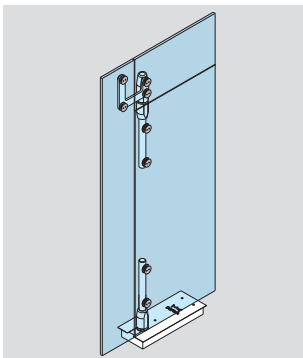
As a result, there are almost unlimited possibilities for integrating frameless swing doors

both in masonry openings – with or without overpanels and side-lights – and in glass partition constructions retained by single-point fixings.

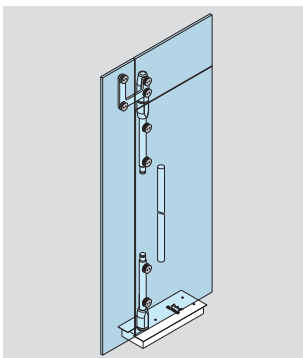
Whether with a full-length pivot rod or a pair of shorter pivot rods, the top bearing socket is located in the fitting on the door leaf. This means that connection to the ceiling, lintel or transom can now be provided in the form of the standard PT25 top pivot spigot from the DORMA range. The door assemblies can be equipped with floor springs such as the DORMA BTS 75V or BTS 84, and corner locks are naturally also available.



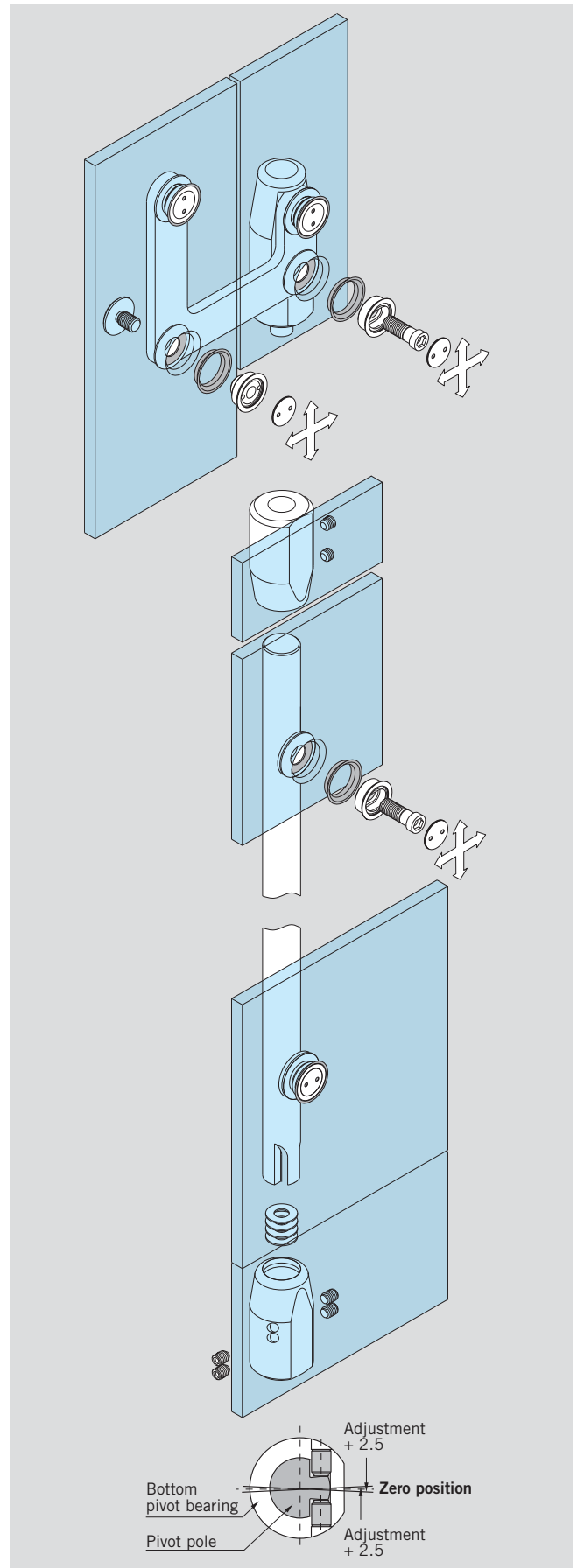
Pivot bearing with full-length pivot rod, max. door panel height 3000 mm



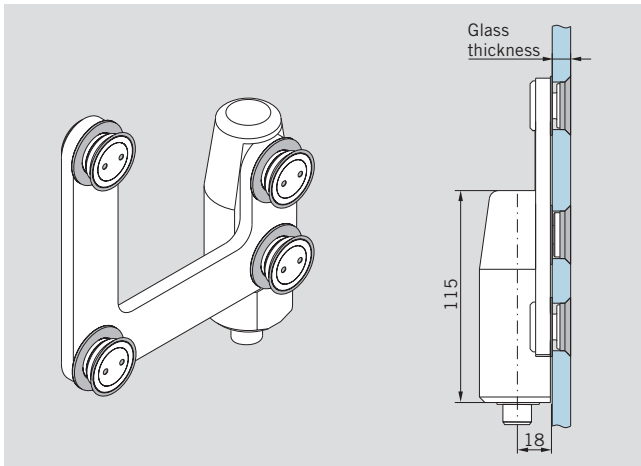
Pivot bearing with pivot rod pair short type, max. door panel height 2500 mm



Pivot bearing with pivot rod pair short type with intermediate tube, max. door panel height 2500 mm



COMPONENTS FOR PIVOTING DOOR SYSTEM



Overpanel / sidelight connector

complete fitting
for 10/12 mm glass
countersunk

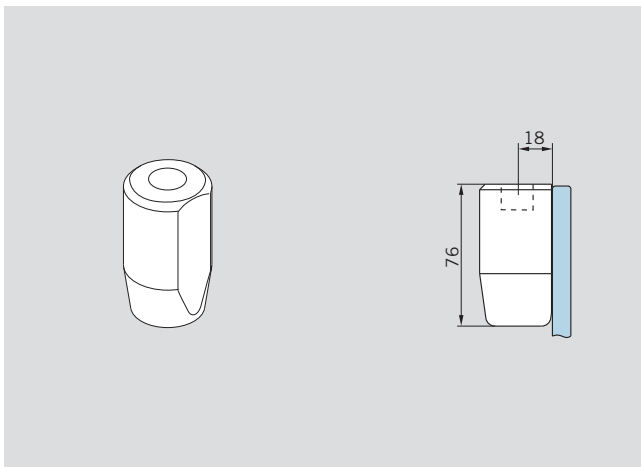
AISI 316L

clamping disc

Art. No. 29.330

Art. No. 29.362

Art. No. 29.356

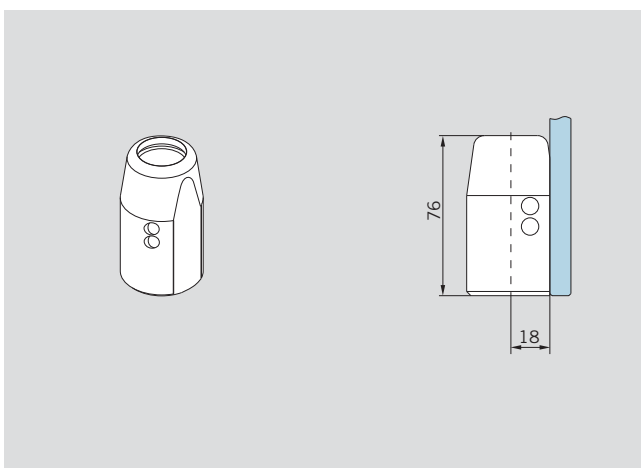


Pivot bearing for overpanel and ceiling connection

AISI 316L

Art. No. 21.310

Art. No. 21.350



Pivot bearing

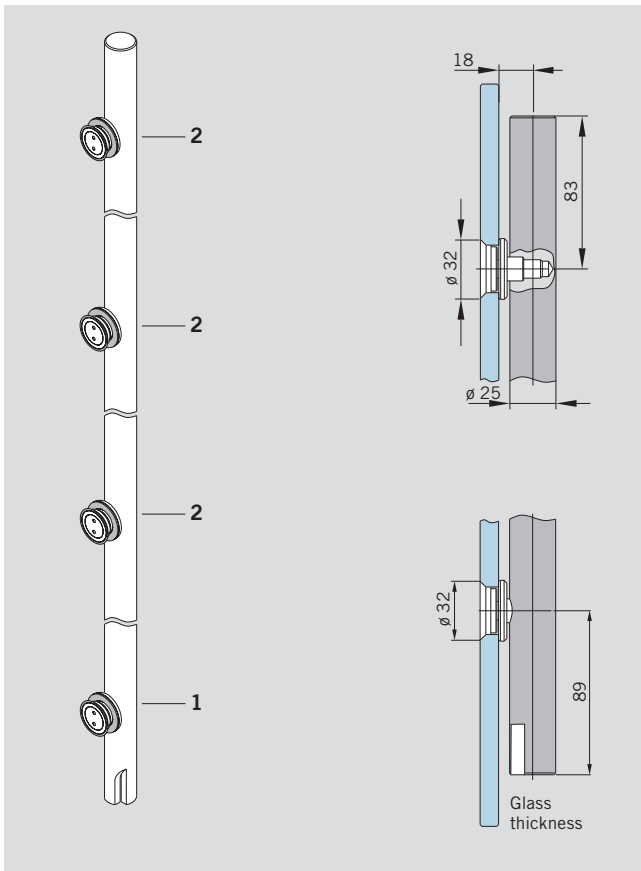
for DORMA BTS (max. 4 EN) /
floor pivot

AISI 316L

Art. No. 29.545

Art. No. 29.550

COMPONENTS FOR PIVOTING DOOR SYSTEM



Pivot rod,
drilled, fixed length **Art. No. 29.551**

Single-point fixing,
countersunk, fixed (1)
for 10/12 mm glass **Art. No. 29.460**

AISI 316L **Art. No. 29.461**

for 13.5 – 15.5 mm glass **Art. No. 29.450**

clamping disc, fixed (1)
for 10/12 mm glass **Art. No. 29.465**

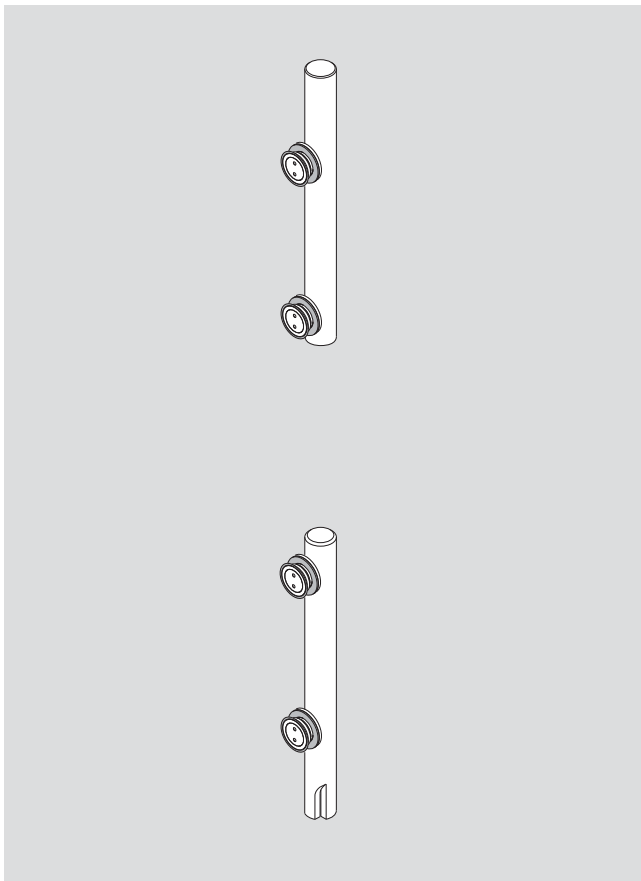
AISI 316L **Art. No. 29.466**

Single-point fixing,
countersunk, centring (2)
for 10/12 mm glass **Art. No. 29.462**

AISI 316L **Art. No. 29.463**

for 13.5 – 15.5 mm glass **Art. No. 29.455**

clamping disc, centring (2)
for 10/12 mm glass **Art. No. 29.467**

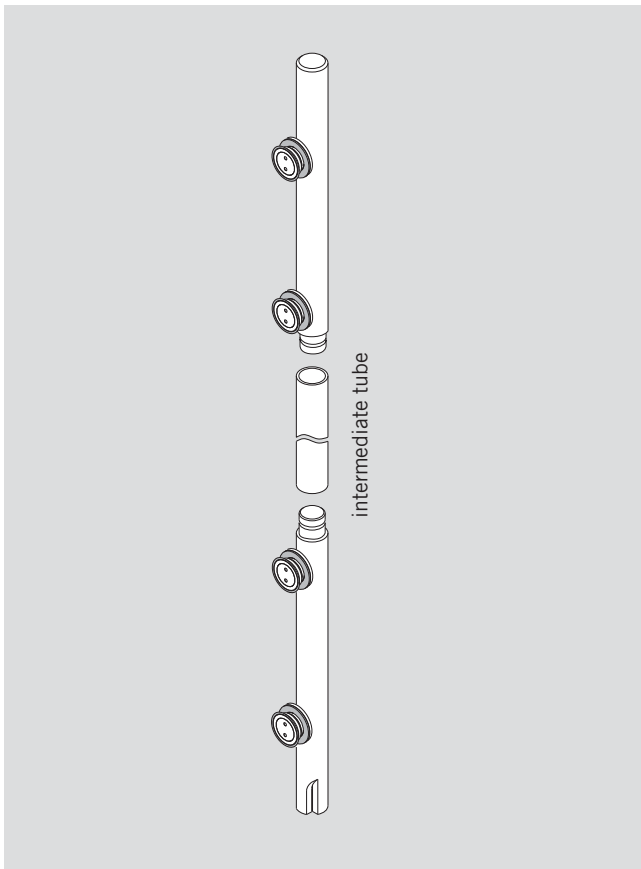


Pivot rod set, short type
top/bottom,
incl. 4 single-point fixings
countersunk **Art. No. 29.546**

AISI 316L **Art. No. 29.547**

clamping disc **Art. No. 29.560**

AISI 316L **Art. No. 29.561**



Pivot rod set, short type
top / bottom,
 for intermediate tube,
 inclusive 4 single-point fixings

countersunk Art. No. 29.548

AISI 316L Art. No. 29.549

clamping disc Art. No. 29.562

AISI 316L Art. No. 29.563

Intermediate tube
 fixed length up to 2000 mm

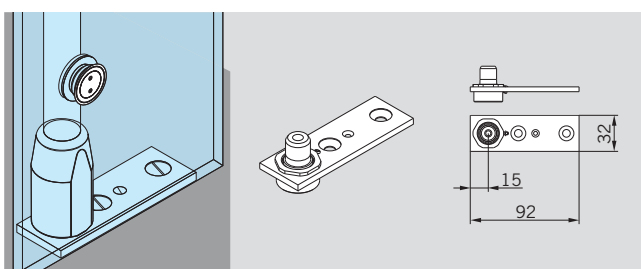
Art. No. 29.555

AISI 316L Art. No. 29.557



Pivot bearing for humid rooms

AISI 316L Art. No. 29.540

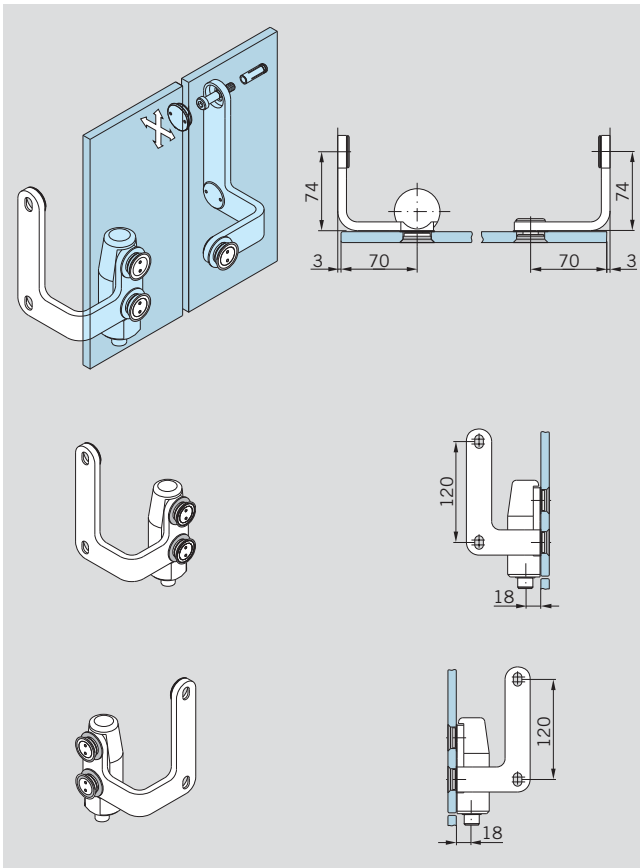


Floor pivot

Art. No. 01.106

COMPONENTS FOR PIVOTING DOOR SYSTEM

Wall fixing



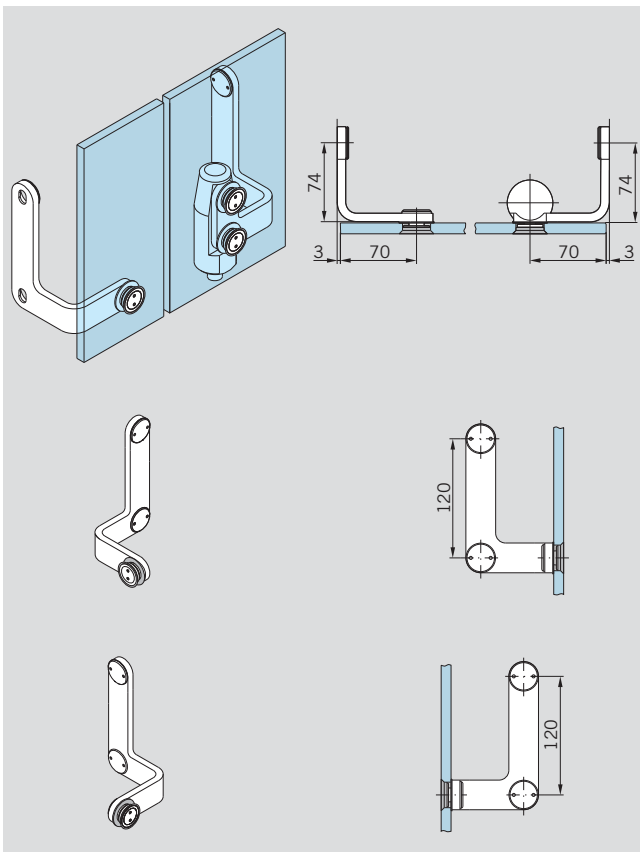
Overpanel / sidelight connector for wall fixing
 90° offset,
 with pivot bearing location,
 complete fitting
 for 10/12 mm glass

right hand

Art. No. 29.328

left hand

Art. No. 29.329



Overpanel / sidelight connector for wall fixing
 90° offset,
 complete fitting
 for 10/12 mm glass

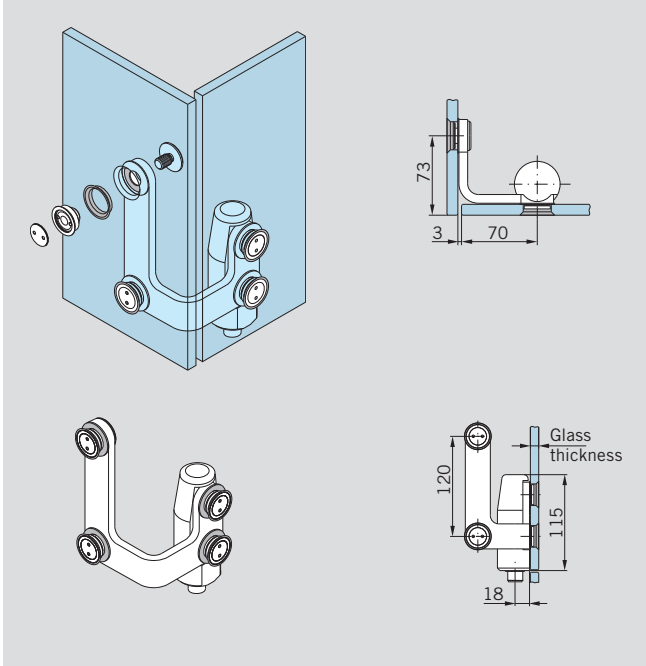
right hand

Art. No. 29.326

left hand

Art. No. 29.327

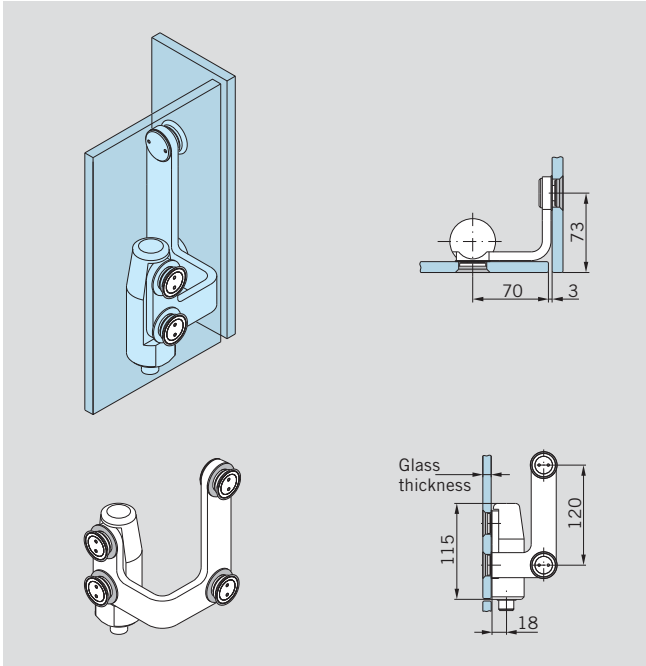
Glass fixing



Overpanel / sidelight connector for glass fixing
 90° offset,
 with pivot bearing location,
 complete fitting
 for 10/12 mm glass

right hand

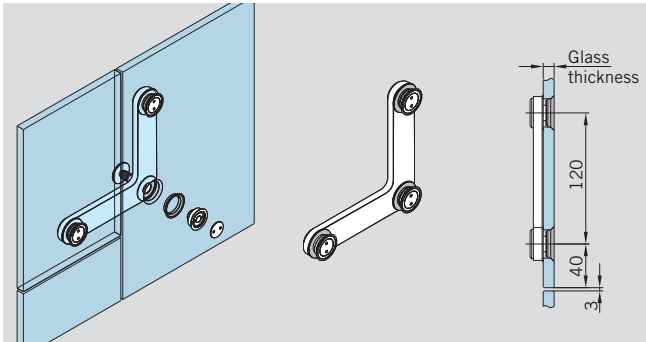
Art. No. 29.331



Overpanel / sidelight connector for glass fixing
 90° offset,
 with pivot bearing location,
 complete fitting
 for 10/12 mm glass

left hand

Art. No. 29.332

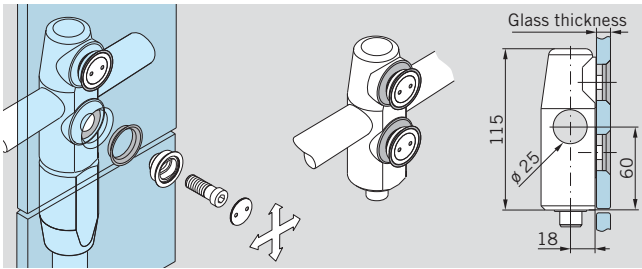


Overpanel / sidelight connection
 for 10/12 mm glass,
 countersunk
 clamping disc

Art. No. 29.320

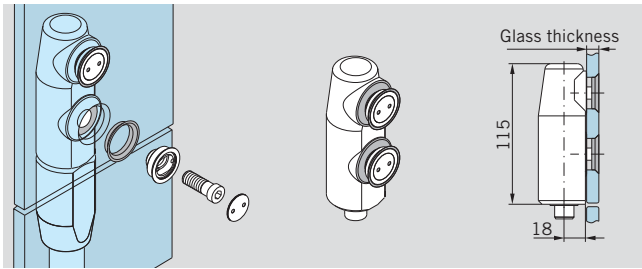
Art. No. 29.357

COMPONENTS FOR PIVOTING DOOR SYSTEM



Pivot bearing fitting for overpanel with cylindrical bore for rod
for 8 – 12 mm glass, countersunk

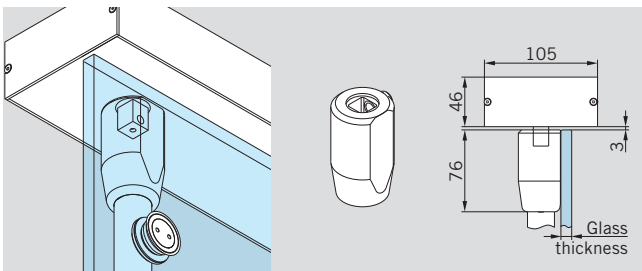
Art. No. 29.354



Pivot bearing location for overpanel
for 8 – 12 mm glass, countersunk
AISI 316L

Art. No. 29.333

Art. No. 29.353

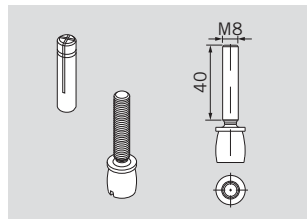
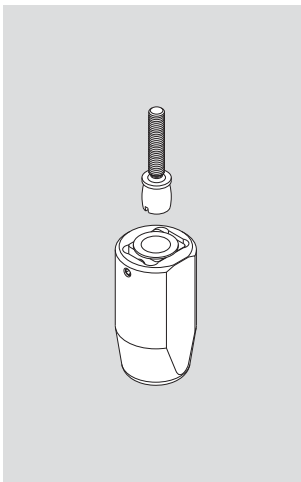


Pivot bearing for RTS

Art. No. 29.314

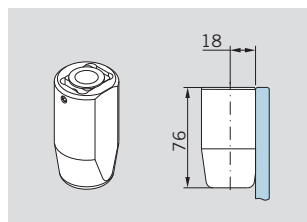
Pivot pole, drilled, fixed length, for RTS pivot bearing 29.314

Art. No. 29.553



PT 25 pin
for ceiling connection, 15 mm Ø, with plug

Art. No. 01.115

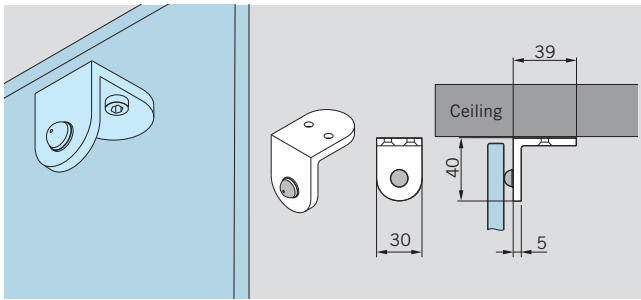


Pivot bearing for installation to ceiling
adjustable
for 8 – 12 mm glass, AISI 316L

Art. No. 21.319

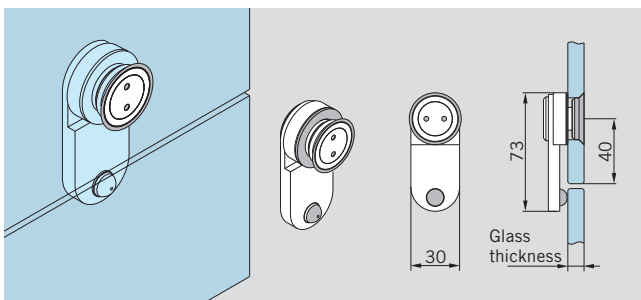
Art. No. 21.318

ACCESSORIES



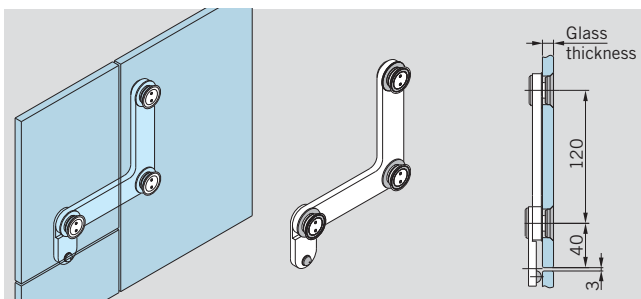
Stop for pivoting door
with ceiling mounting

Art. No. 21.334



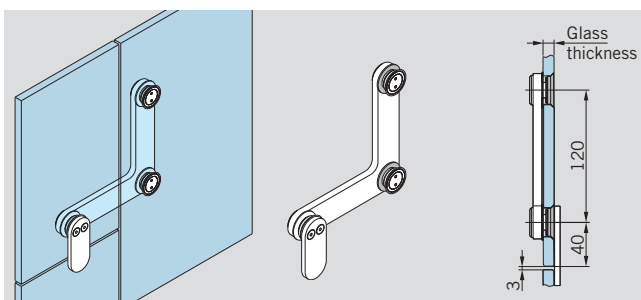
Stop at overpanel
(inside/outside)
for 10/12 mm glass,

Art. No. 29.335



Overpanel / sidelight connection
with stop inside
for 10/12 mm glass,
countersunk

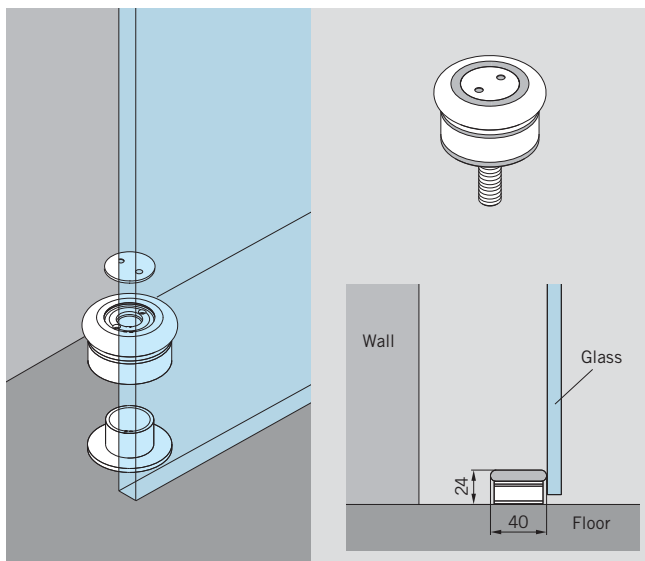
Art. No. 29.322



Overpanel / sidelight connection
with stop outside
for 10/12 mm glass,
countersunk

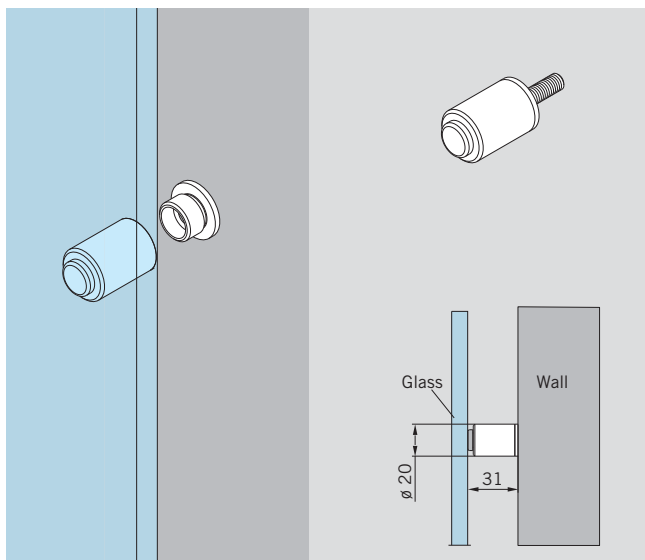
Art. No. 29.325

ACCESSORIES



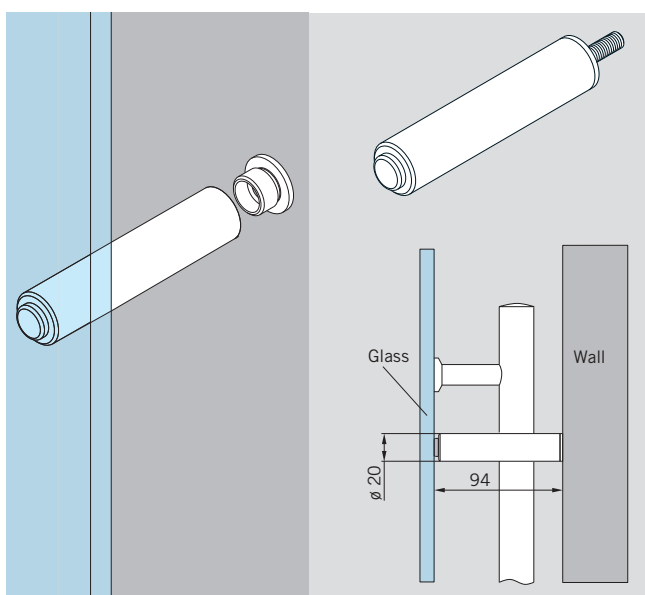
Stop for pivoting door
floor mounting

Art. No. 29.950



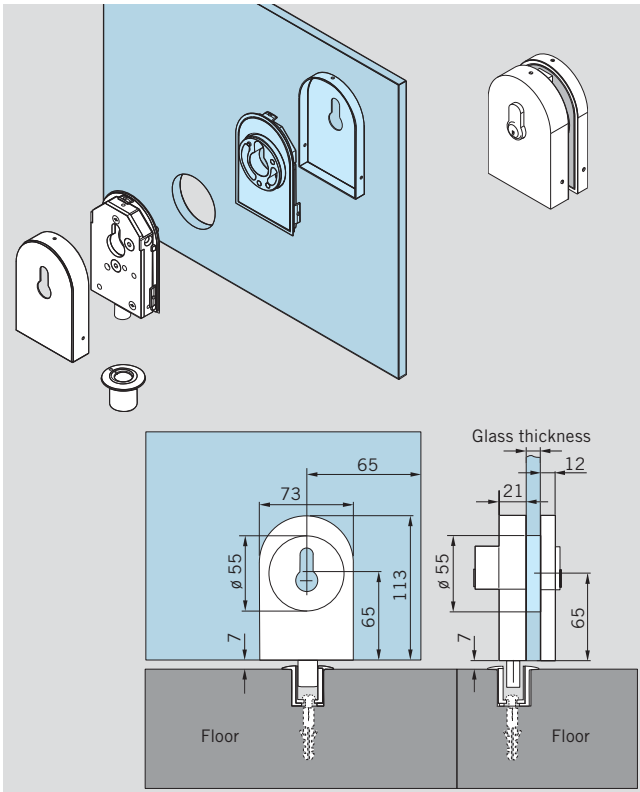
Stop for pivoting door
wall mounting, short

Art. No. 29.951



Stop for pivoting door
wall mounting, long

Art. No. 29.952



Corner lock
for 8 – 12 mm glass,

Art. No. 21.448

Corner lock
with profile cylinder rose on
inside for 8 – 12 mm glass

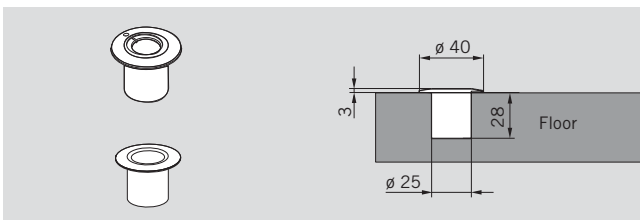
Art. No. 21.449

Dead lock for KABA
with rose on inside
for 8 – 12 mm glass

Art. No. 21.450

Profile cylinder
for corner lock

Art. No. 14.206

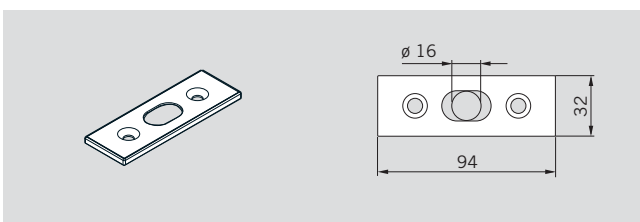


Eccentric bushing
for corner lock

Art. No. 05.194

Bushing,
plastics

Art. No. 00.110

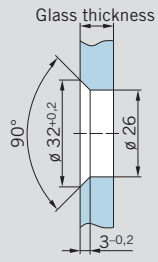


Strike plate

Art. No. 05.190

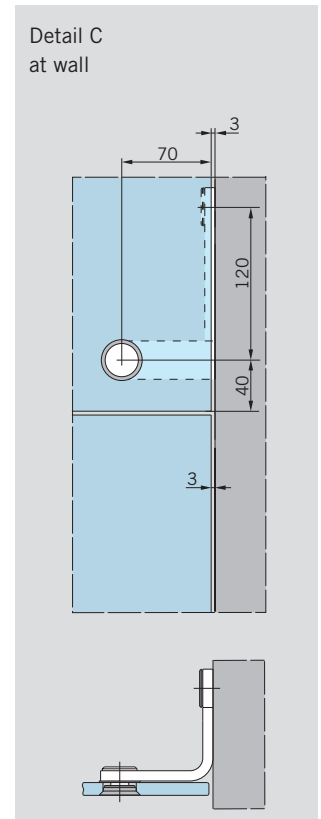
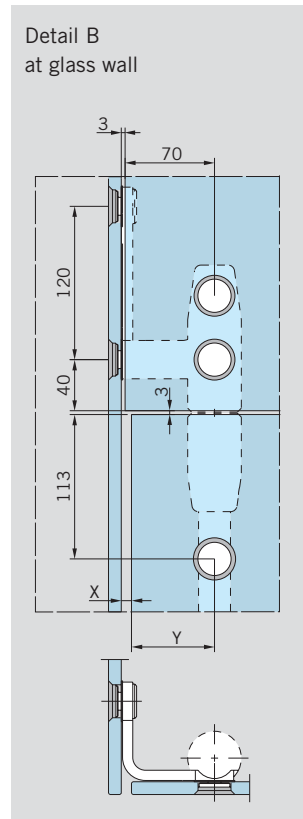
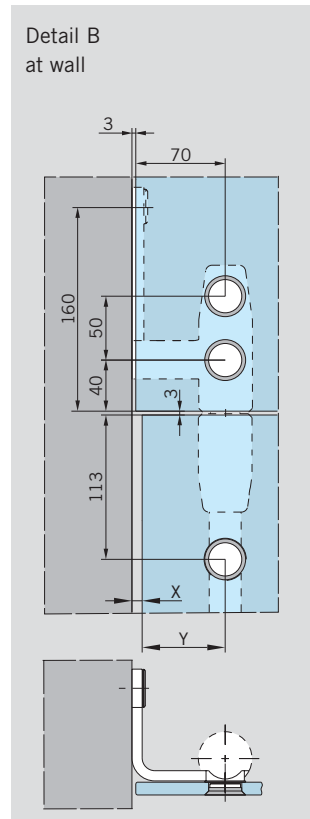
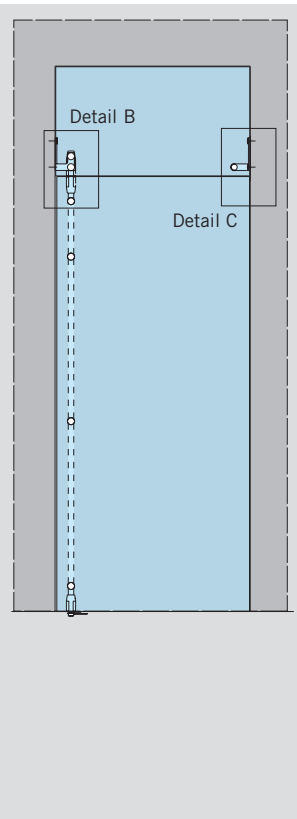
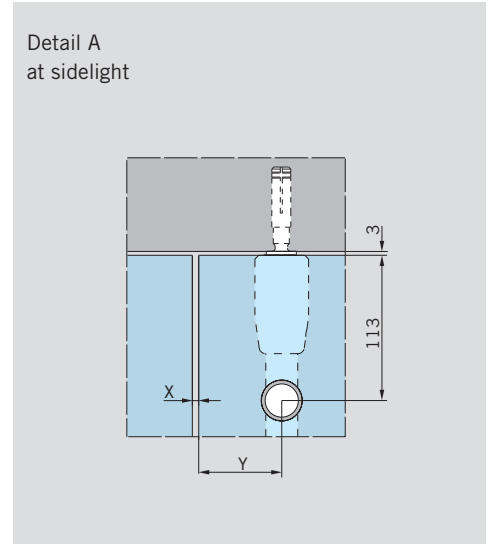
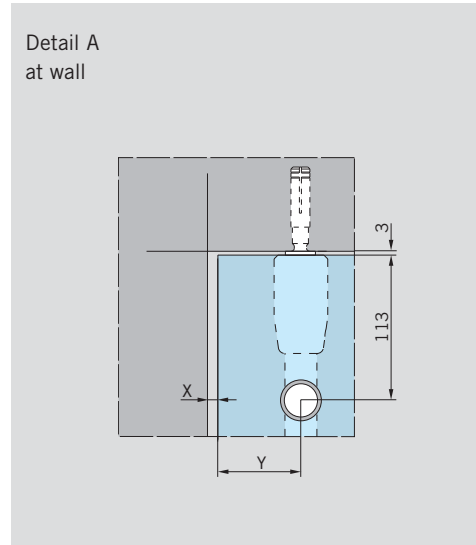
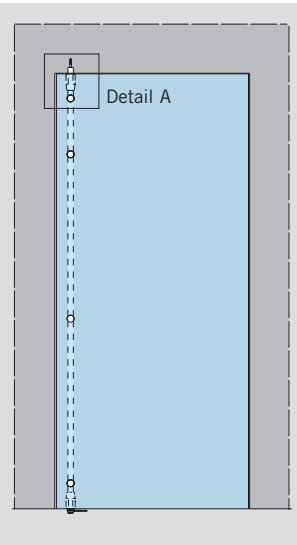
GLASS PREPARATION FOR PIVOTING DOOR SYSTEM

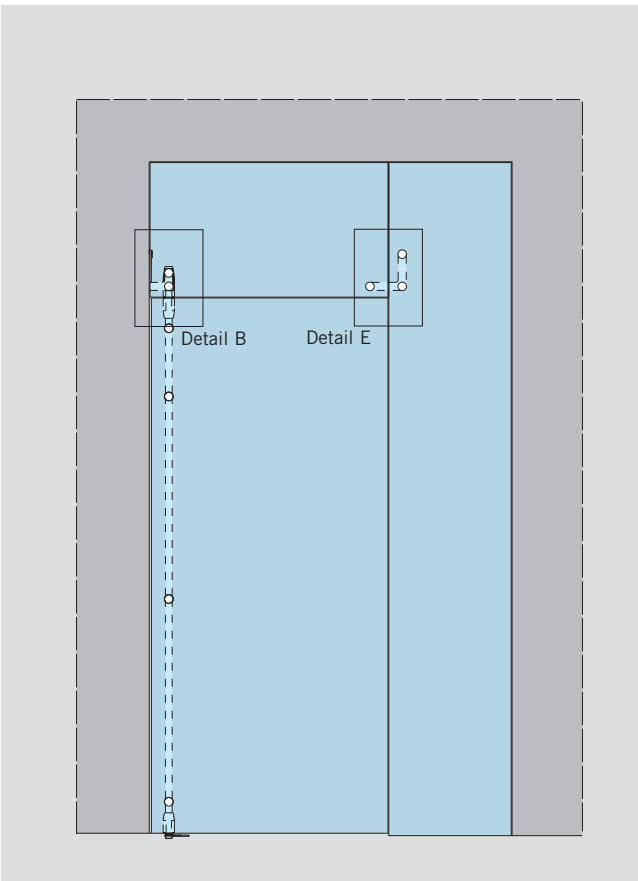
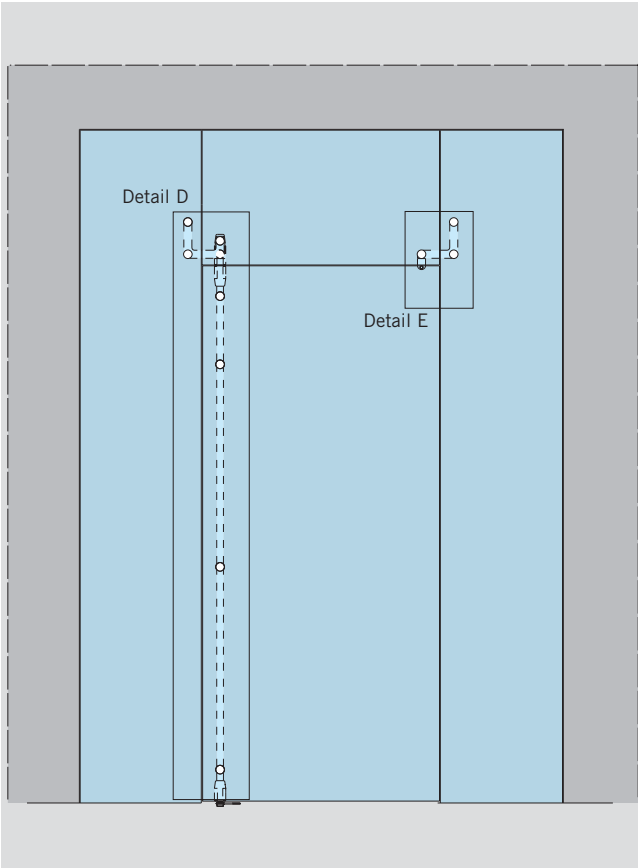
Countersunk holes



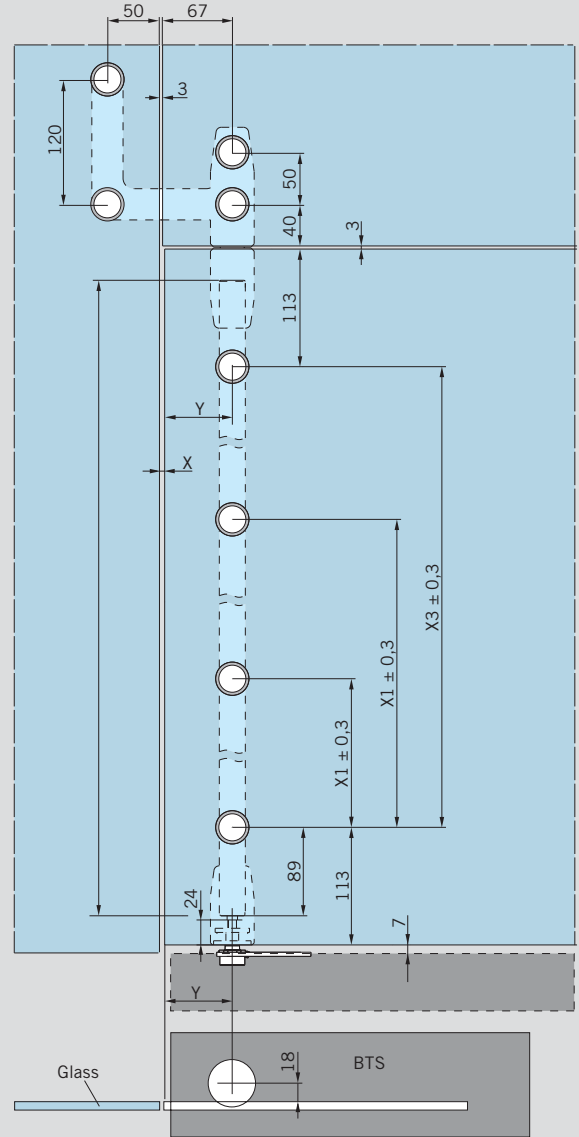
The gap and distance dimensions recommended by DORMA are indicated in the adjacent table.

| Glass thickness mm | Connection | X Gap | Y |
|--------------------|------------|-------|----|
| 10/12 | Sidelight | 5 | 65 |
| | Wall | 8 | |
| 13.5-15.5 | Sidelight | 8 | 62 |
| | Wall | 11 | |

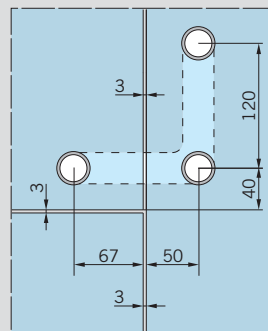




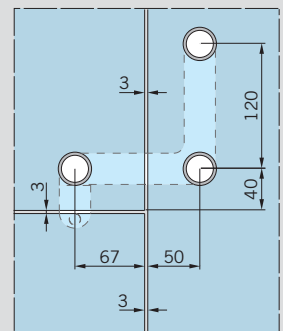
Detail D



Detail E



Detail E with stop



MANET CONCEPT



Connection system

36 – 43



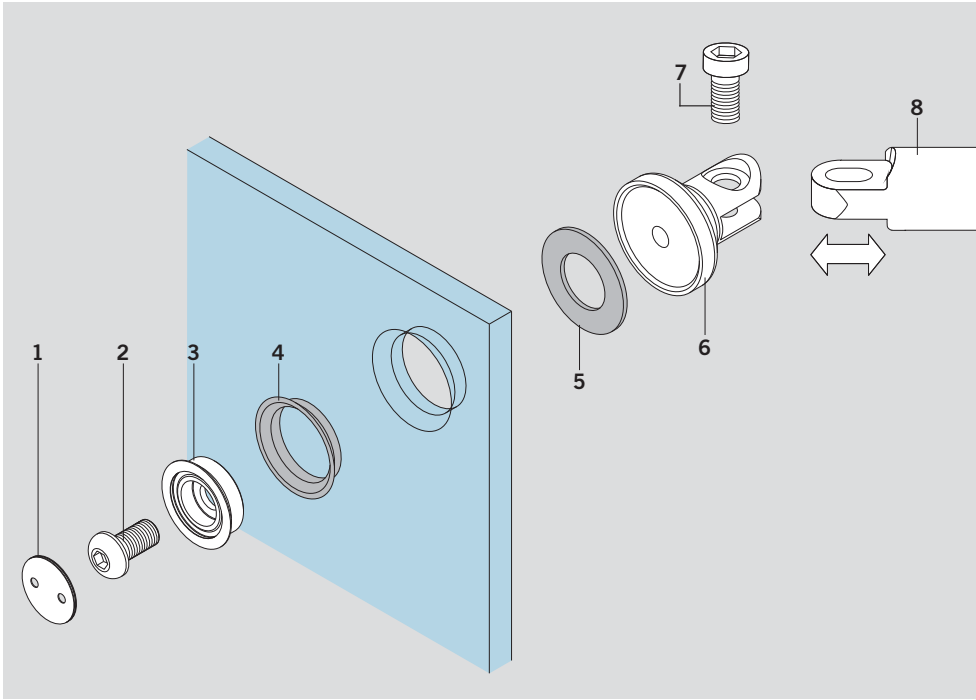
CONNECTION SYSTEM

The system approach is very much in evidence in the case of the interconnecting components. Elements such as clamping and angle connectors of various designs and also interconnecting

fasteners of various lengths can be combined in order to attach glass of different thicknesses at any required angle to the floor, to ceilings, to walls and to plinth supports.

Single-point fixings flush with the glass are also used for this interconnection and glass-to-glass system. Tolerances are compensated by slotted holes in the interconnecting fasteners.

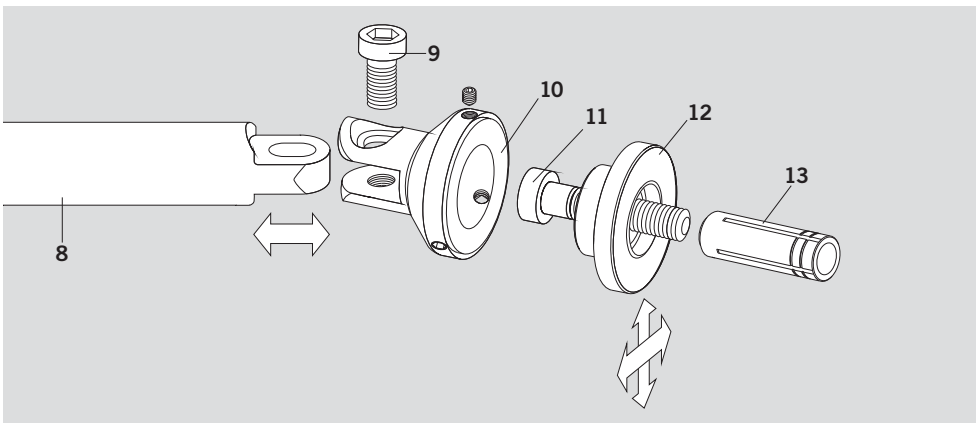
Glass fixing



Components

- 1 Clip-on cover
- 2 Connecting bolt
- 3 Conical collar
- 4 Conical sleeve
- 5 Gasket
- 6 Pivoting clamp
- 7 Connecting bolt
- 8 Connecting rod to suit length

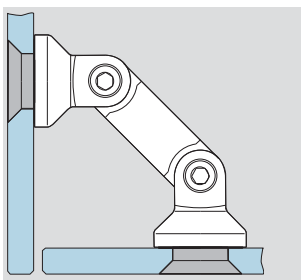
Wall fixing



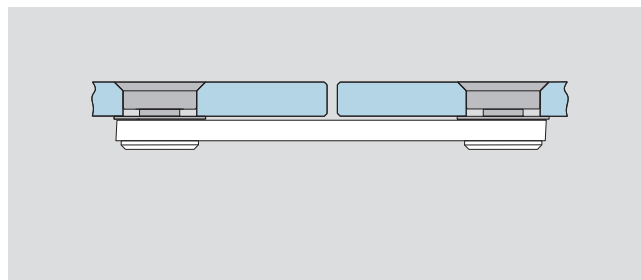
Components

- 9 Connecting bolt
- 10 Pivoting clamp
- 11 Threaded rod M8 with small head, Length and type to suit wallplug
- 12 Mounting plate, 2-dimensional adjustment
- 13 Wallplug on site to suit wall construction

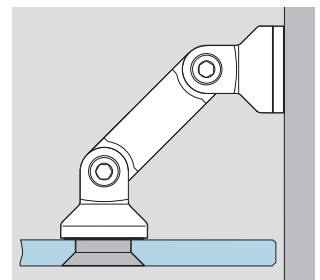
90° – 180° Glass / Glass



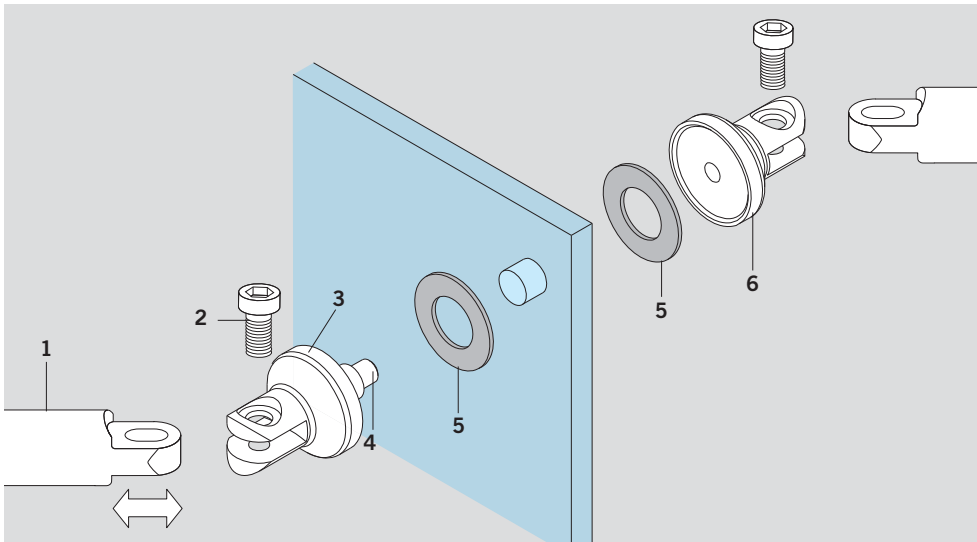
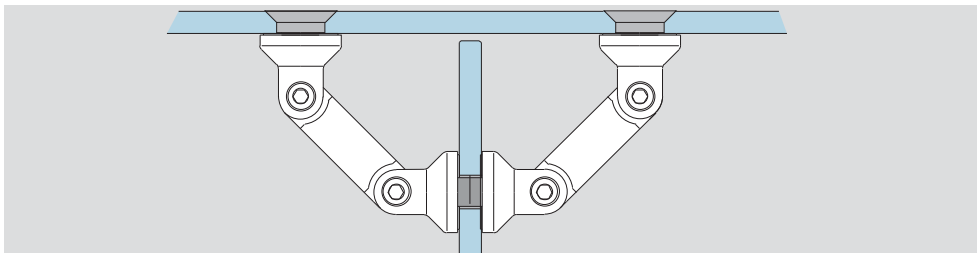
Glass / Glass Connector



90° – 180° Glass / Wall



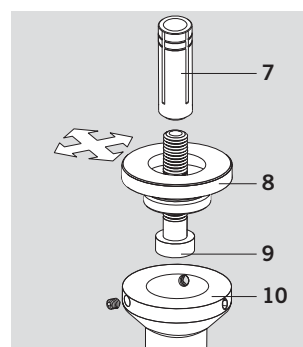
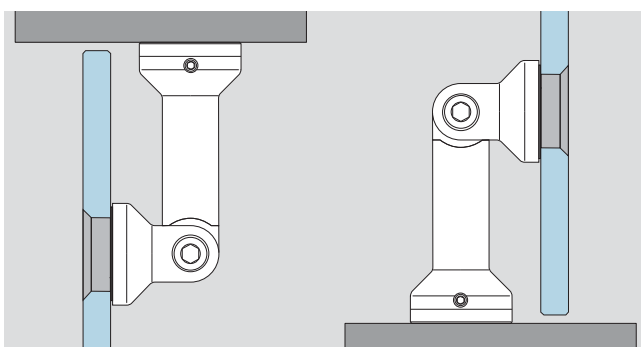
CLAMP CONNECTION GLASS



Components

- 1 Connecting rod or steel cable
- 2 Connecting bolt
- 3 Pivoting clamp
- 4 Connecting bolt
- 5 Gasket
- 6 Pivoting clamp

CONNECTION CEILING / FLOOR

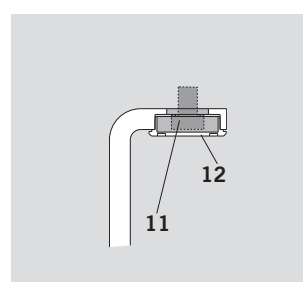
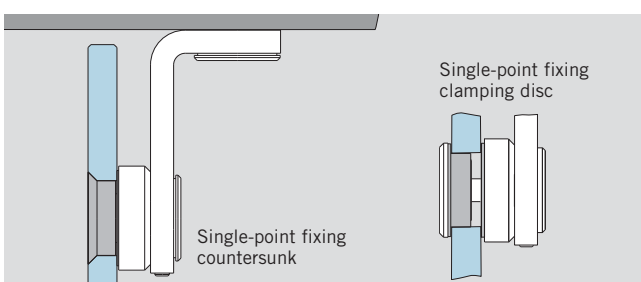


Components

- 7 Wallplug on site
- 8 Mounting plate, 2-dimensional adjustable
- 9 Threaded rod M8
- 10 Column

Ceiling suspension only permissible with bottom glass panel support.

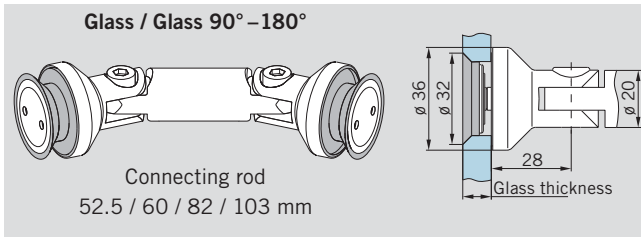
ALTERNATIVE CONNECTION CEILING



Components

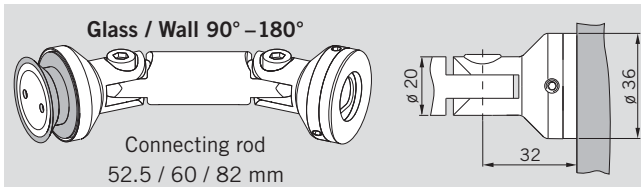
- 11 Threaded rod M8
DIN 7984 M10 x..., or
oval-head wood screw
DIN 7996 M8 x...
- 12 Clip-on cover

COMPLETE FITTING



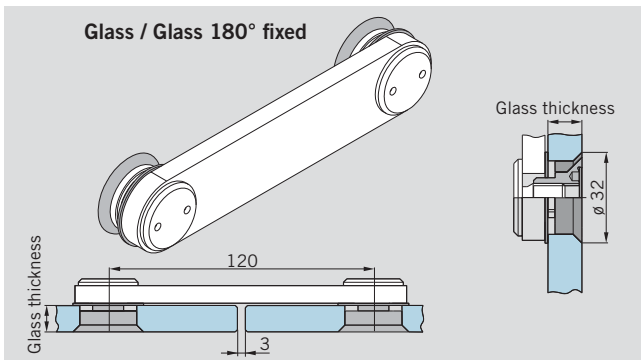
Complete fitting glass / glass
for 8 – 12 mm glass thickness

- With connecting rod 52.5 mm **Art. No. 29.120**
- With connecting rod 60 mm **Art. No. 29.122**
- With connecting rod 82 mm **Art. No. 29.125**
- With connecting rod 103 mm **Art. No. 29.130**



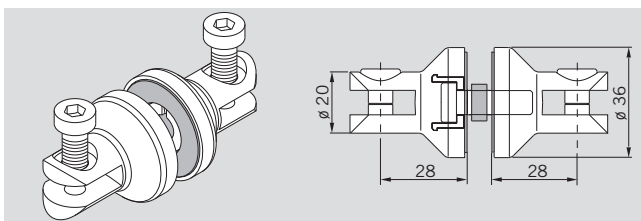
Complete fitting glass / wall
for 8 – 12 mm glass thickness

- With connecting rod 52.5 mm **Art. No. 29.139**
- With connecting rod 60 mm **Art. No. 29.140**
- With connecting rod 82 mm **Art. No. 29.142**

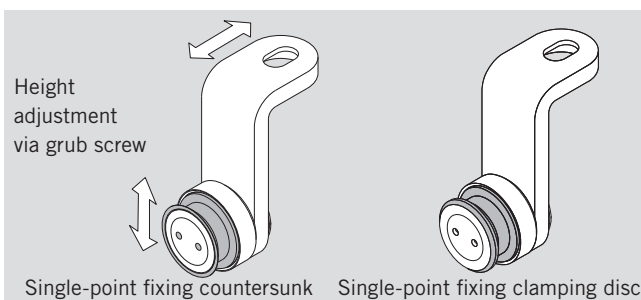
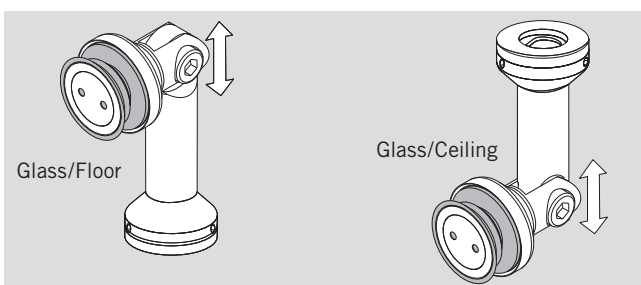


Complete fitting Connector
for glass thickness 8 – 12 mm

- AISI 303 **Art. No. 29.148**
- AISI 316L **Art. No. 29.368**

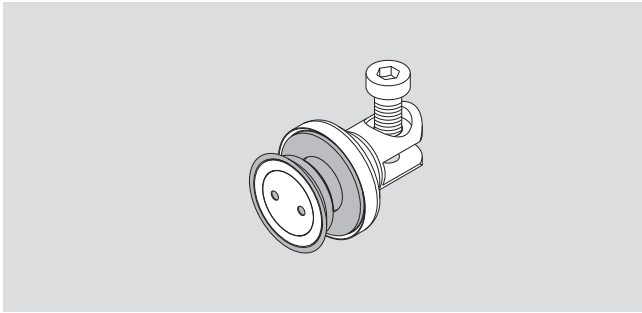


Complete fitting Clamping connector
for glass thickness 8 – 12 mm **Art. No. 29.149**



- AISI 316L **Art. No. 29.337**
- clamping disc **Art. No. 29.339**
- AISI 316L **Art. No. 29.338**
- Art. No. 29.340**

COMPONENTS

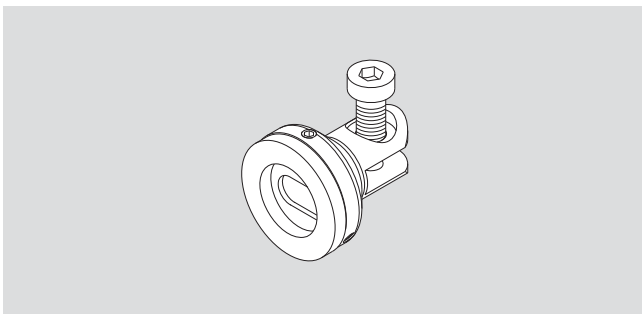


Pivoting glass clamp
 inclusive screw sets
 for 8 – 12, 13.5 – 17.5 and
 17.5 – 21.5 mm glass,
 countersunk

Art. No. 29.160

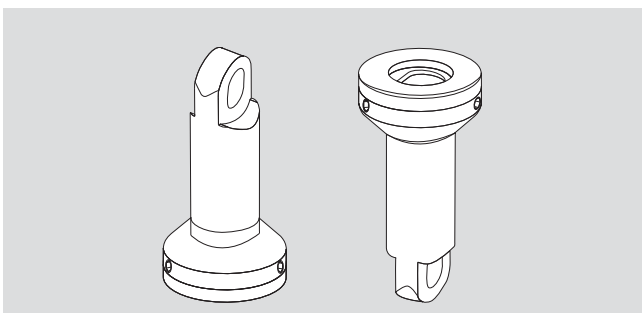
do., clamping disc

Art. No. 29.165



Pivoting wall fixing

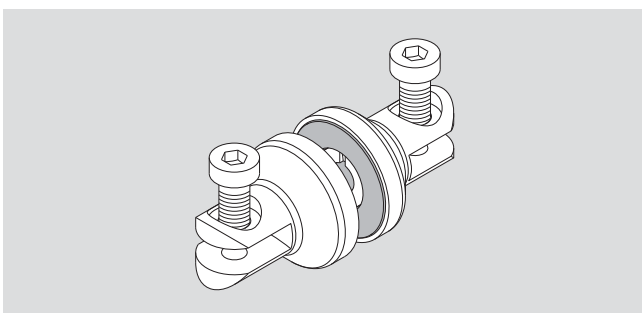
Art. No. 21.141



Column

Ceiling/floor fixing

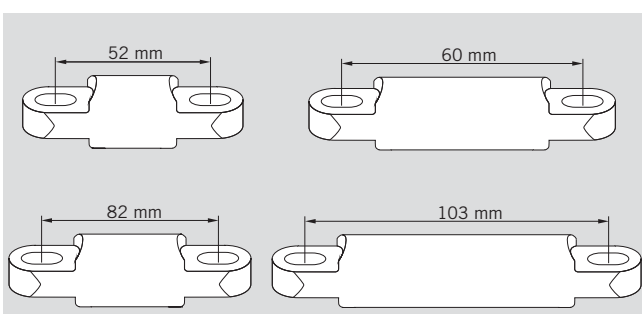
Art. No. 21.146



Clamping connector

for Glass thickness 8 – 12 mm

Art. No. 29.149



Connecting rods

Length 52.5 mm

Art. No. 21.355

Length 60 mm

Art. No. 21.356

Length 82 mm

Art. No. 21.357

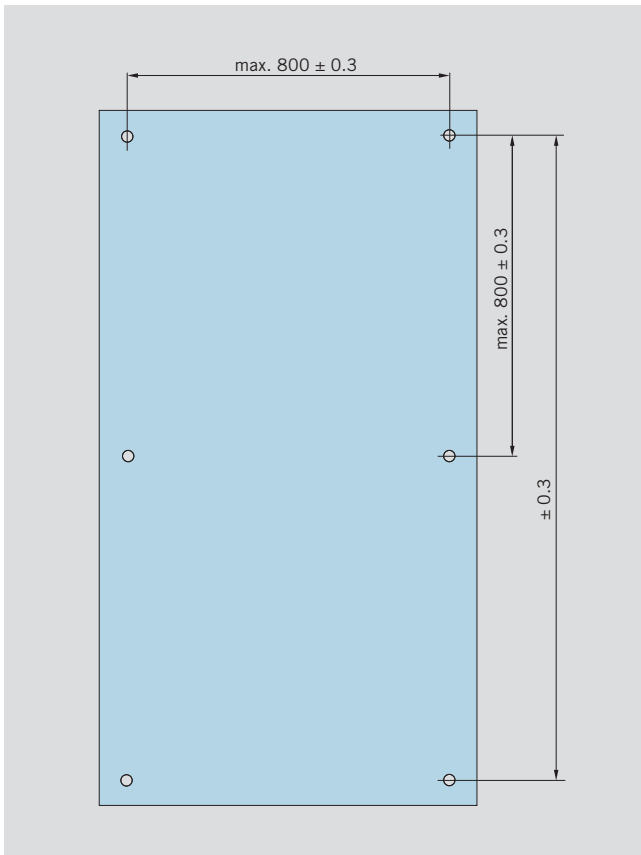
Length 103 mm

Art. No. 21.358

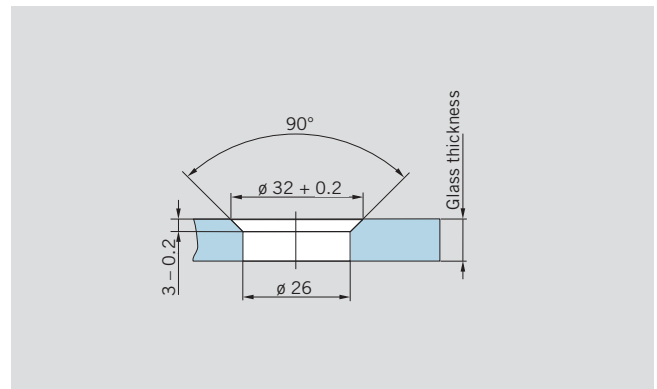
GLASS PREPARATION CONNECTION SYSTEM

For TSG and LSG from TSG.

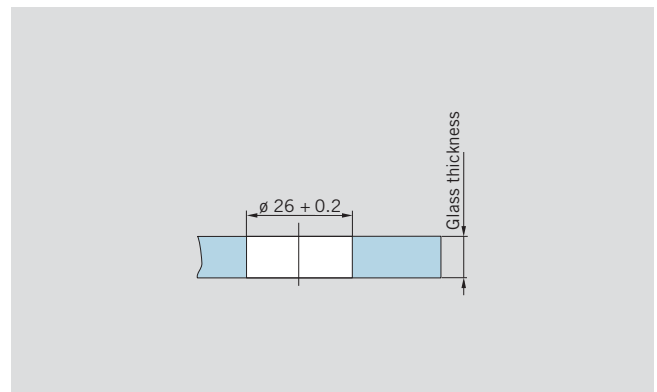
Recommended centres for fixed glazing element



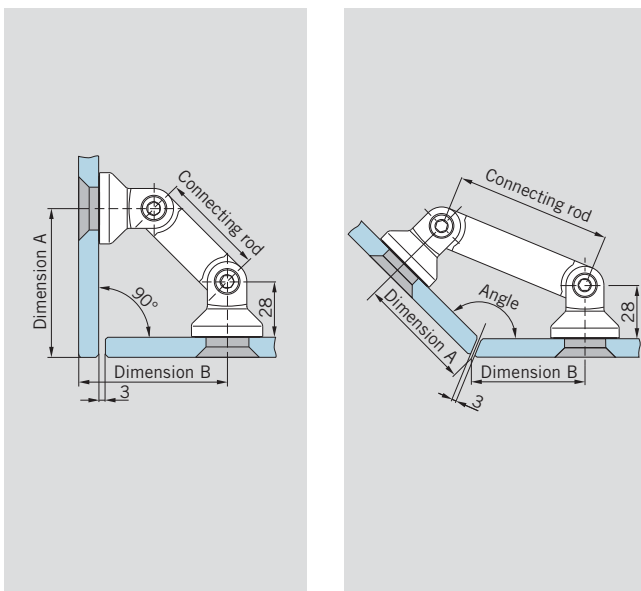
Countersunk bore for countersunk single-point fixings



Cylindrical bore for clamping disc single-point fixings



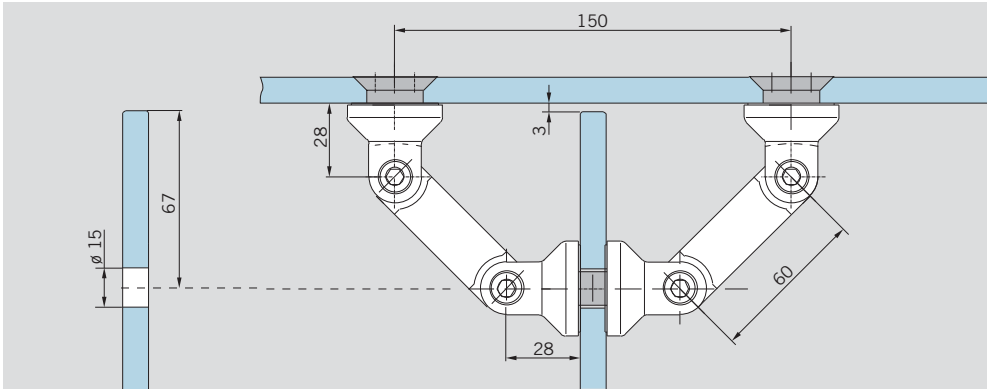
Corner connectors glass / glass 90 – 180°



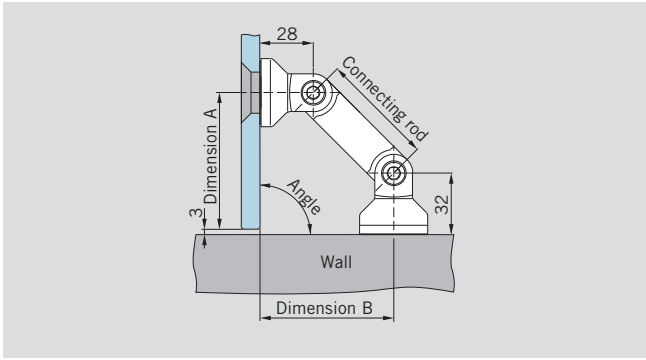
Corner connectors glass / glass (dimensions in mm)

| Angle | Length of connecting rod | | | |
|--|--------------------------|-----|-----|-----|
| | 52,5 | 60 | 82 | 103 |
| Dimensions for 10 mm glass thickness (consider variants for other glass thicknesses). | | | | |
| 90° | A/B | A/B | A/B | A/B |
| 95° | 75 | 80 | 96 | |
| 100° | 70 | 75 | 90 | |
| 105° | 66 | 71 | 85 | |
| 110° | 62 | 67 | 81 | |
| 115° | 59 | 63 | 77 | |
| 120° | 55 | 60 | 73 | |
| 125° | 52 | 56 | 69 | |
| 130° | 49 | 54 | 66 | |
| 135° | 47 | 51 | 63 | |
| 180° | 44 | 48 | 60 | |
| | | | | 50 |

Clamping connector



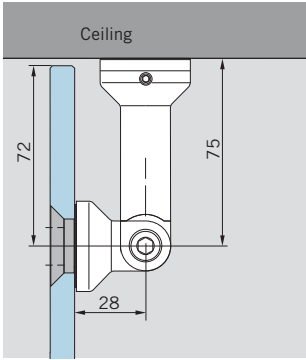
Corner connectors glass / wall 90 – 180°



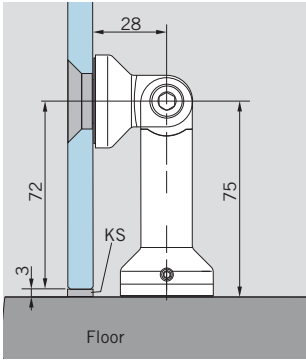
Glass / wall (dimensions in mm)

| | Length of connecting rod | | |
|--|--------------------------|-------|---------|
| | 52,5 | 60 | 82 |
| Dimensions for 10 mm glass thickness (consider variants for other glass thicknesses). | | | |
| Angle | A/B | A/B | A/B |
| 90° | 67/65 | 72/70 | 87,5/86 |

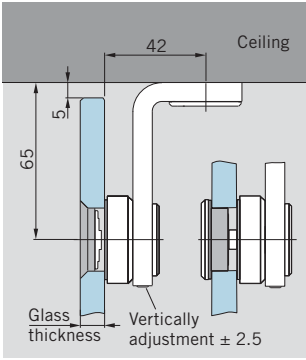
Corner connector glass / ceiling



Corner connector glass / floor



Ceiling fixing (bearing)



Note: Ensure compliance with minimum glass/bore clearances as per glass manufacturer recommendations. Glass preparation with a tolerance of max. ± 0.3 mm is recommended.

MANET CONCEPT

Single-point fixing

44 – 49



SINGLE-POINT FIXING SERIES S32/35



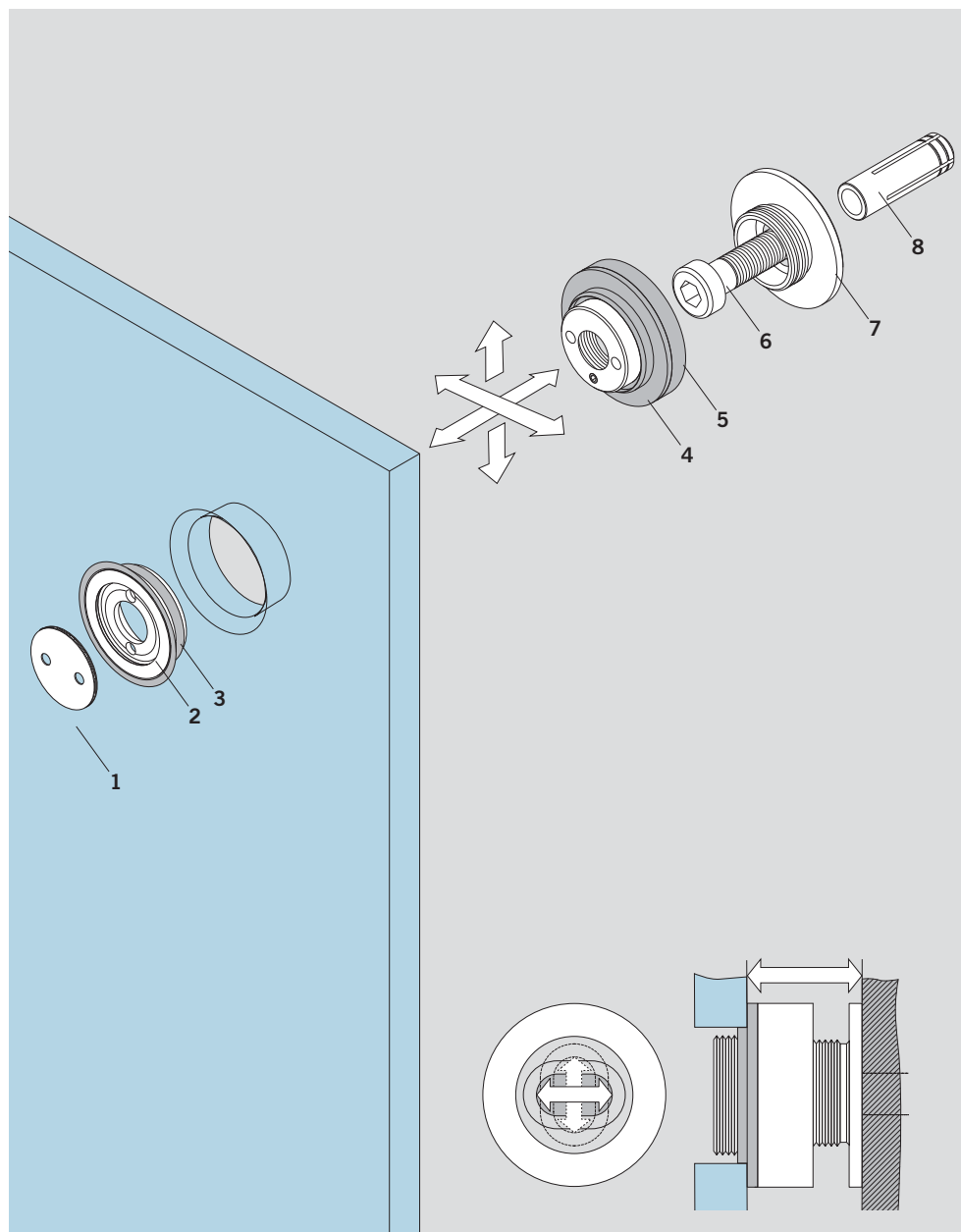
The basic component within the MANET system is the single-point fixing. Rather than cylindrical bore in the glass, this has a tapered countersunk bore for a perfect seated fit to the glass. These give a flush finish of the single-point fixing in all applications.

The three-dimensional adjustability incorporated within the fitting ensures ideal compensation for structural and drilling tolerances. Constraint-free transmission of all the forces acting on the glass to the substructure is also ensured.

Simple installation and metric adjustment

The fixing and the gasket are wound onto the adjustment screw already fitted to the wall, with the glass panel then being simply mounted over the top. The adjustment screw allows the position of the glass to be adjusted in 3 dimensions.

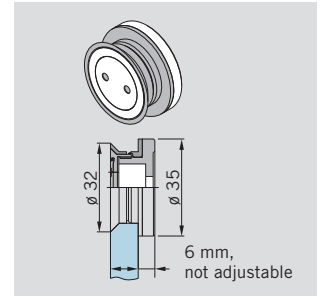
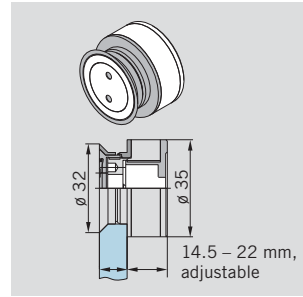
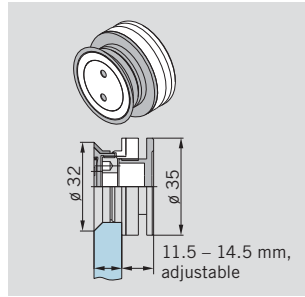
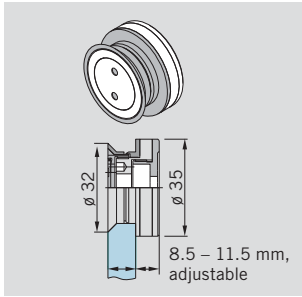
An adjustment range of ± 2 mm in the vertical and lateral directions can be utilized by rotating the adjustment screw by up to 90° . Then it is simply a matter of aligning and securing the single-point fixing and conical sleeve. The clip-on cover provides for a flush appearance.



Components

- 1 Clip-on cover
- 2 Pin internal thread
- 3 Conical sleeve
- 4 Gasket
- 5 Fixing
- 6 Threaded rod M8 with small head (eg DIN 6912). Length and type to suit wallplug
- 7 Adjustment screw
- 8 Wallplug on site to suit wall construction

TYPES



Single-point fixing, glass / wall
wall offset 8.5 – 11.5 mm,
adjustable

Single-point fixing, glass / wall
wall offset 11.5 – 14.5 mm,
adjustable

Single-point fixing, glass / wall
wall offset 14.5 – 22 mm,
adjustable

Single-point fixing, glass / wall
fixed wall offset 6 mm,
not adjustable

Countersunk
8/10 mm glass
Art. No. 29.200

Countersunk
8/10 mm glass
Art. No. 29.201

Countersunk
8/10 mm glass
Art. No. 29.202

Countersunk
8/10 mm glass
Art. No. 29.205

12 mm glass
Art. No. 29.210

12 mm glass
Art. No. 29.211

12 mm glass
Art. No. 29.212

12 mm glass
Art. No. 29.215

13.5 mm glass
Art. No. 29.240

13.5 mm glass
Art. No. 29.241

13.5 mm glass
Art. No. 29.242

13.5 mm glass
Art. No. 29.243

15 mm glass
Art. No. 29.244

15 mm glass
Art. No. 29.245

15 mm glass
Art. No. 29.246

15 mm glass
Art. No. 29.247

17.5 mm glass
Art. No. 29.248

17.5 mm glass
Art. No. 29.249

17.5 mm glass
Art. No. 29.250

17.5 mm glass
Art. No. 29.251

Clamping disc
8/10 mm glass
Art. No. 29.700

Clamping disc
8/10 mm glass
Art. No. 29.701

Clamping disc
8/10 mm glass
Art. No. 29.702

Clamping disc
8/10 mm glass
Art. No. 29.730

12 mm glass
Art. No. 29.705

12 mm glass
Art. No. 29.706

12 mm glass
Art. No. 29.707

12 mm glass
Art. No. 29.731

13.5 mm glass
Art. No. 29.710

13.5 mm glass
Art. No. 29.711

13.5 mm glass
Art. No. 29.712

13.5 mm glass
Art. No. 29.732

15 mm glass
Art. No. 29.715

15 mm glass
Art. No. 29.716

15 mm glass
Art. No. 29.717

15 mm glass
Art. No. 29.733

17.5 mm glass
Art. No. 29.720

17.5 mm glass
Art. No. 29.721

17.5 mm glass
Art. No. 29.722

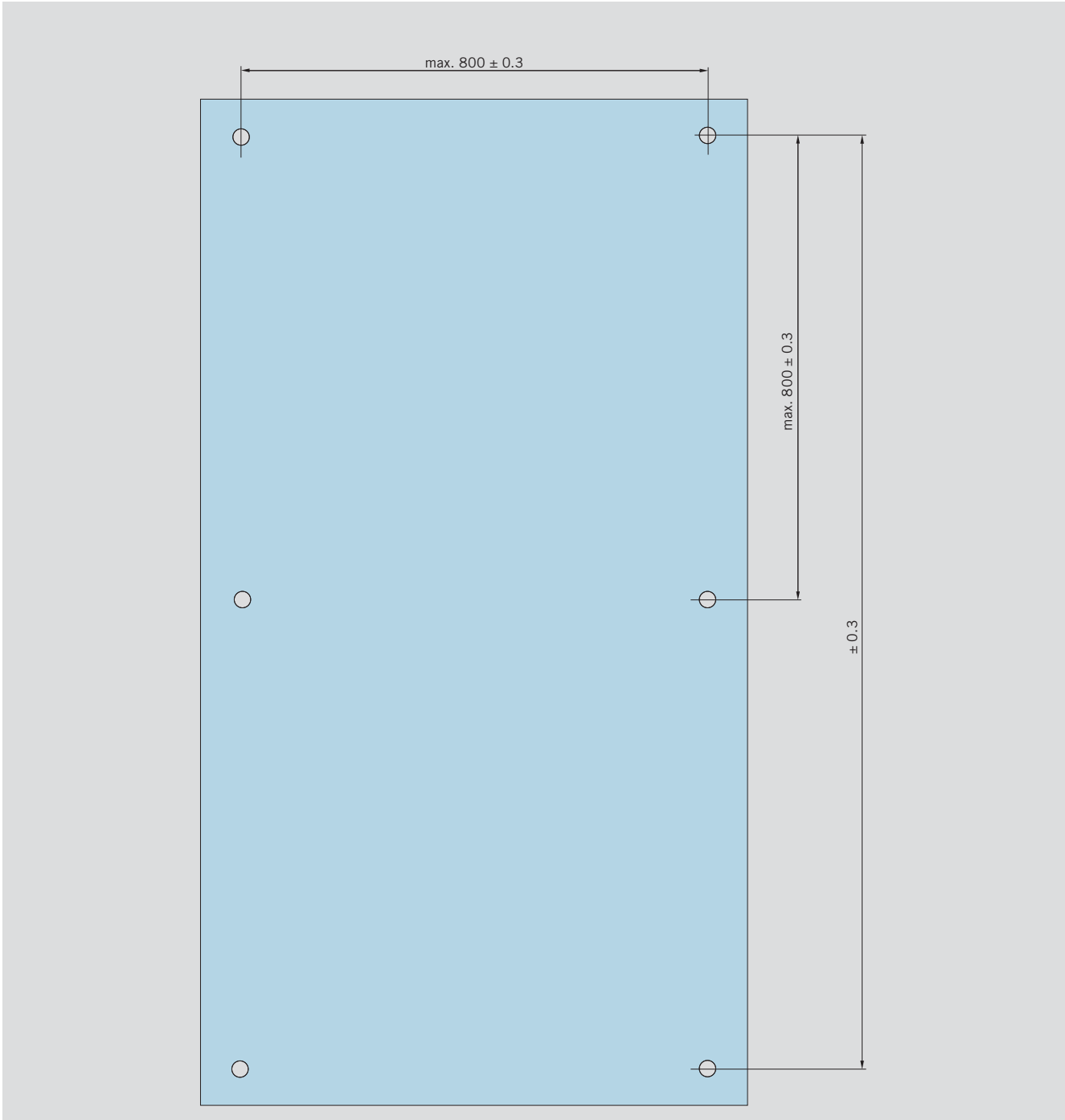
17.5 mm glass
Art. No. 29.734

Stainless steel quality AISI 316L on request.

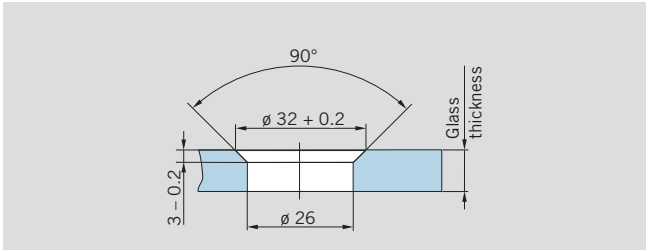
GLASS PREPARATION CONNECTION SYSTEM

For TSG and LSG from TSG.

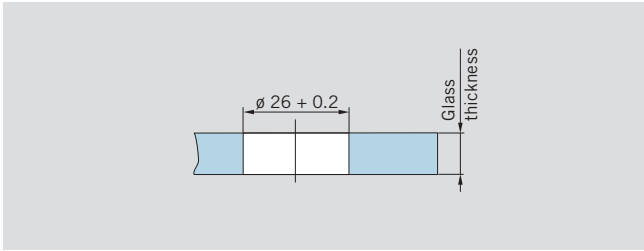
Recommended centres for fixed glazing element



Countersunk bore for countersunk single-point fixings



Cylindrical bore for clamping disc single-point fixings



MANET COMPACT SETS

Pivoting doors

53 – 55

Sliding doors

56 – 61



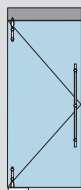
MANET COMPACT SETS

The aesthetic elegance of the MANET COMPACT concept is also available in the form of standardised sets for simple, fast planning of the more popular system types. Optional accessories enable the individual sets to be semi-customised. The system components offer numerous adjustment possibilities

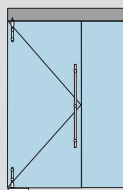
in order to ensure problem-free installation of whichever door type – sliding or swing, single action or double action – is required. Wall abutment profiles may need to be provided (by others) for fixing overpanels and sidelights. (See technical brochure "Fittings and door rails for toughened glass assemblies".)



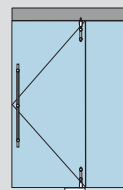
**Pivoting doors
Set 1**
Page 53



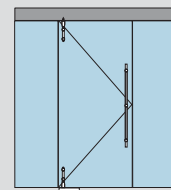
Construction 1 (1 set)



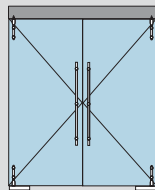
Construction 2 (1 set)



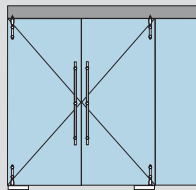
Construction 3 (1 set)



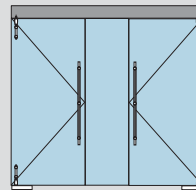
Construction 4 (1 set)



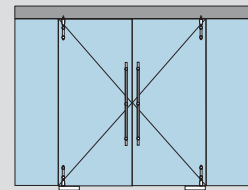
Construction 5 (2 sets)



Construction 6 (2 sets)

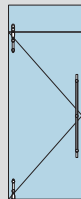


Construction 7 (2 sets)

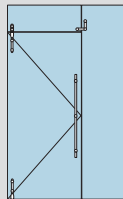


Construction 8 (2 sets)

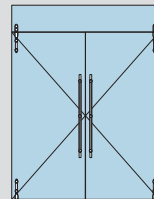
**Pivoting doors
with overpanel
Set 2**
Page 54



Construction 9 (1 set)

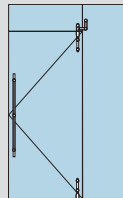


Construction 12 (1 set)

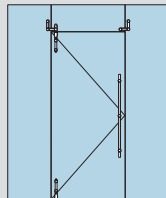


Construction 18 (2 sets)

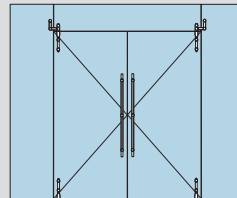
**Pivoting doors
with overpanel
and sidelight
Set 3**
Page 55



Construction 13 (1 set)

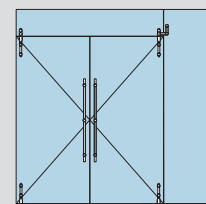


Construction 15 (1 set)



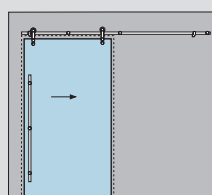
Construction 23 (2 sets)

**Pivoting doors
Set 2 + 3**
Page 54/55

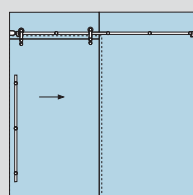


Construction (1 Set each)

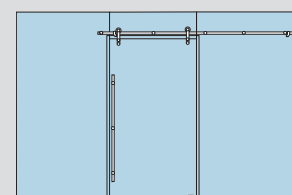
**Sliding doors
Set 4/5/6**
Page 56 – 61



Set 4.1/4.2



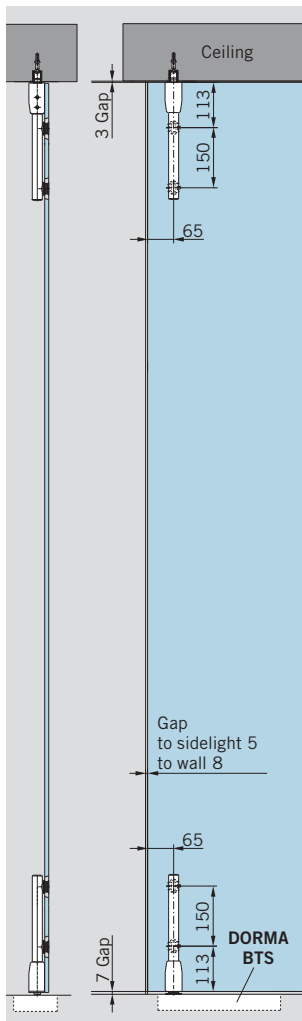
Set 5.1/5.2



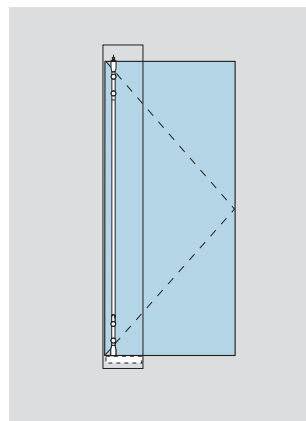
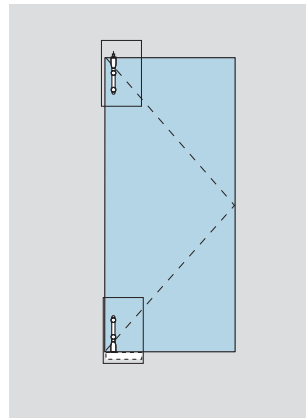
Set 6.1/6.2

SET 1

Pivoting door MANET COMPACT without overpanel for 10 – 12 mm glass



Door weight 80 kg
 Door height max. 2500 mm
 Door width max. 1200 mm
 TSG 10/12 mm glass thickness



Set 1

with pivot rod pair short type

Set 1

with single-point fixings countersunk

consisting of:

pivot rod pair top/bottom,
 short type

Art. No. 29.910

including:

4 Single-point fixings for pivot rods

1 Pivot fitting top,

1 PT 25 pin, 15 mm Ø, with plug

1 Pivot fitting bottom

for DORMA BTS/floor pivot

Option:

Set 1, but for

additional intermediate tube in

fixed length for pivot rod pair

Art. No. 29.911

Intermediate tube in fixed length

Art. No. 29.555

Please indicate:

Panel height _____ mm

– 577 mm

= Length intermediate tube

_____ mm

Accessory options for Set 1

Pull handles

| | | |
|-----------------------------------|----------------|------------------------|
| Pull handles | Length 350 mm | Art. No. 29.268 |
| (single-point fixing countersunk) | Length 720 mm | Art. No. 29.271 |
| | Length 1240 mm | Art. No. 29.274 |
| | Length 1760 mm | Art. No. 29.277 |
| Pair of pull handles | Length 350 mm | Art. No. 21.267 |
| | Length 720 mm | Art. No. 21.270 |
| | Length 1240 mm | Art. No. 21.273 |
| | Length 1760 mm | Art. No. 21.276 |

Lock

| | |
|--|------------------------|
| Corner lock | Art. No. 21.448 |
| Corner lock with rose on one lock side | Art. No. 21.449 |
| Profile cylinder for corner lock 21.448/449 | Art. No. 14.206 |
| Eccentric bushing for corner lock 21.448/449 | Art. No. 05.194 |

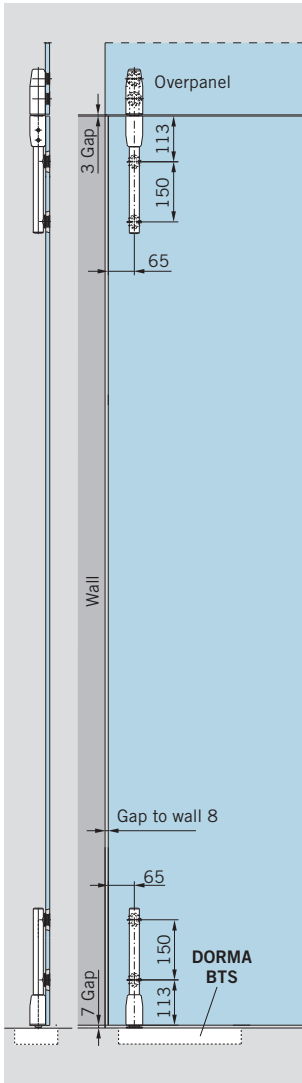
Further accessories

| | |
|--|------------------------|
| Stop for pivoting door with ceiling mounting | Art. No. 21.334 |
| Ceiling fixing (bearing function) | Art. No. 29.337 |
| Floor pivot bearing | Art. No. 01.106 |
| Assembling tool for MANET single-point fixings | Art. No. 21.134 |

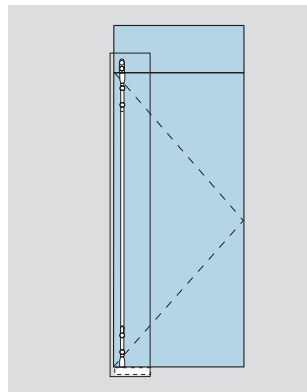
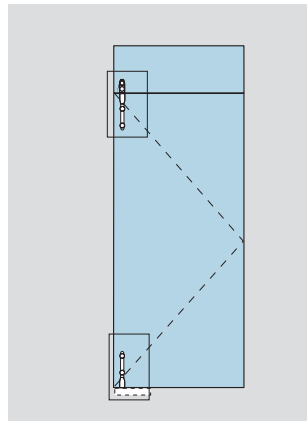
For the requisite glass preparation please see pages 34 – 35

SET 2

Pivoting door MANET COMPACT with overpanel for 10 – 12 mm glass



Door weight 80 kg
 Door height max. 2500 mm
 Door width max. 1200 mm
 TSG 10/12 mm glass thickness



Set 2

with pivot rod pair short type

Set 2

with single-point fixings countersunk

consisting of:

pivot rod pair top/bottom,
 short type

Art. No. 29.912

including:

- 4 Single-point fixings for pivot rods,
- 1 Pivot fitting top,
- 1 Pivot bearing location for overpanel,
- 1 Pivot fitting bottom
 for DORMA BTS/floor pivot

Option:

Set 2, but with

additional intermediate tube in

fixed length for pivot rod pair

Art. No. 29.913

Intermediate tube in fixed length

Art. No. 29.555

Please indicate:

Panel height _____ mm

– 577 mm

= Length intermediate tube

_____ mm

Accessory options for Set 2

Pull handles

| | | |
|-----------------------------------|----------------|------------------------|
| Pull handles | Length 350 mm | Art. No. 29.268 |
| (single-point fixing countersunk) | Length 720 mm | Art. No. 29.271 |
| | Length 1240 mm | Art. No. 29.274 |
| | Length 1760 mm | Art. No. 29.277 |
| Pair of pull handles | Length 350 mm | Art. No. 21.267 |
| | Length 720 mm | Art. No. 21.270 |
| | Length 1240 mm | Art. No. 21.273 |
| | Length 1760 mm | Art. No. 21.276 |

Ceiling fixing (bearing function) **Art. No. 29.337**

Stop at overpanel, (inside/outside) for 10 and 12 mm glass **Art. No. 29.335**

Lock

Corner lock **Art. No. 21.448**

Corner lock with rose on one lock side **Art. No. 21.449**

Profile cylinder for corner lock 21.448/449 **Art. No. 14.206**

Eccentric bushing for corner lock 21.448/449 **Art. No. 05.194**

Further accessories

Overpanel-sidelight connector for 10 and 12 mm glass **Art. No. 29.320**

Overpanel-sidelight connector with stop inside for 10 and 12 mm glass **Art. No. 29.322**

Overpanel-sidelight connector with stop outside for 10 and 12 mm glass **Art. No. 29.325**

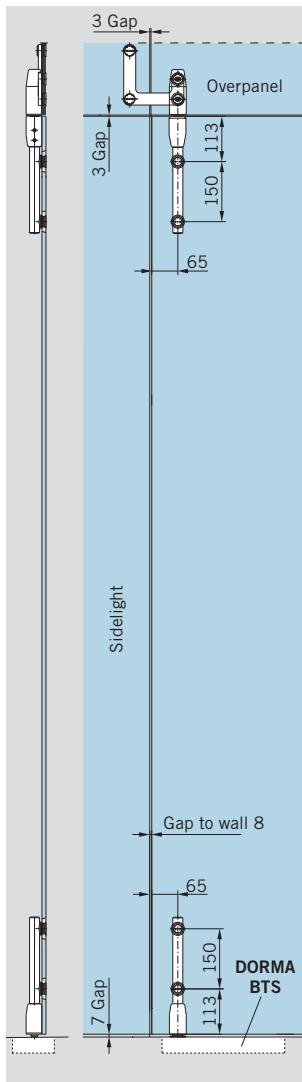
Floor pivot bearing **Art. No. 01.106**

Assembling tool for MANET single-point fixings **Art. No. 21.134**

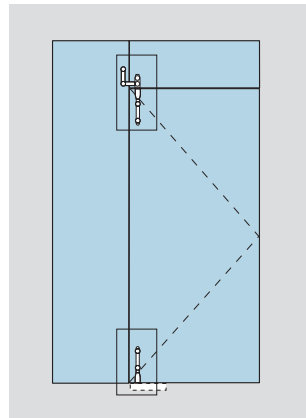
For the requisite glass preparation please see pages 34 – 35

SET 3

Pivoting door MANET COMPACT with overpanel for 10 – 12 mm glass



Door weight 80 kg
 Door height max. 2500 mm
 Door width max. 1200 mm
 TSG 10/12 mm glass thickness



Set 3

with pivot rod pair short type

Set 3

with single-point fixings countersunk

consisting of: pivot rod pair

top/bottom, short type

Art. No. 29.914

including:

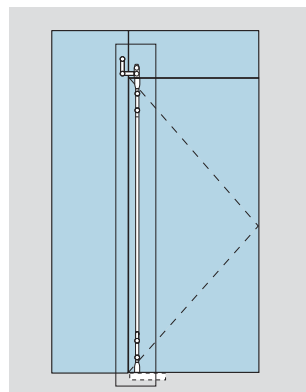
4 Single-point fixings for pivot rods,

1 Pivot fitting top,

1 Overpanel-sidelight connector
with pivot bearing location,

1 Pivot fitting bottom

for DORMA BTS/floor pivot



Option:

Set 3, but with

additional intermediate tube in

fixed length for pivot rod pair

Art. No. 29.914

Intermediate tube in fixed length

Art. No. 29.555

Please indicate:

Panel height _____ mm

– 577 mm

= Length intermediate tube

_____ mm

Accessory options for Set 3

Pull handles

| | | |
|-----------------------------------|----------------|------------------------|
| Pull handles | Length 350 mm | Art. No. 29.268 |
| (single-point fixing countersunk) | Length 720 mm | Art. No. 29.271 |
| | Length 1240 mm | Art. No. 29.274 |
| | Length 1760 mm | Art. No. 29.277 |
| Pair of pull handles | Length 350 mm | Art. No. 21.267 |
| | Length 720 mm | Art. No. 21.270 |
| | Length 1240 mm | Art. No. 21.273 |
| | Length 1760 mm | Art. No. 21.276 |

Ceiling fixing (bearing function) **Art. No. 29.337**

Stop at overpanel, (inside/outside) for 10 and 12 mm glass **Art. No. 29.335**

Lock

| | |
|--|------------------------|
| Corner lock | Art. No. 21.448 |
| Corner lock with rose on one lock side | Art. No. 21.449 |
| Profile cylinder for corner lock 21.448/449 | Art. No. 14.206 |
| Eccentric bushing for corner lock 21.448/449 | Art. No. 05.194 |

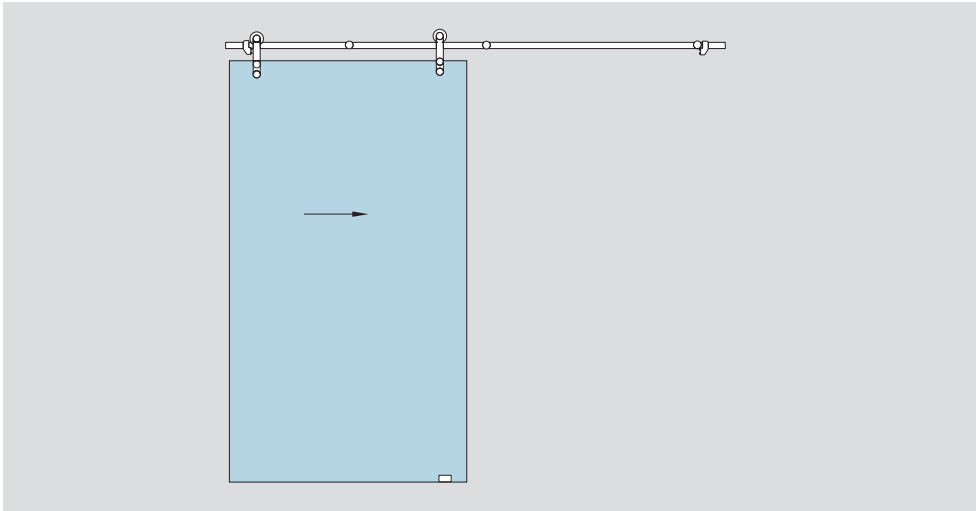
Further accessories

| | |
|--|------------------------|
| Overpanel-sidelight connector for 10 and 12 mm glass | Art. No. 29.320 |
| Overpanel-sidelight connector with stop inside for 10 and 12 mm glass | Art. No. 29.322 |
| Overpanel-sidelight connector with stop outside for 10 and 12 mm glass | Art. No. 29.325 |
| Floor pivot bearing | Art. No. 01.106 |
| Assembling tool for MANET single-point fixings | Art. No. 21.134 |

For the requisite glass preparation please see pages 34 – 35

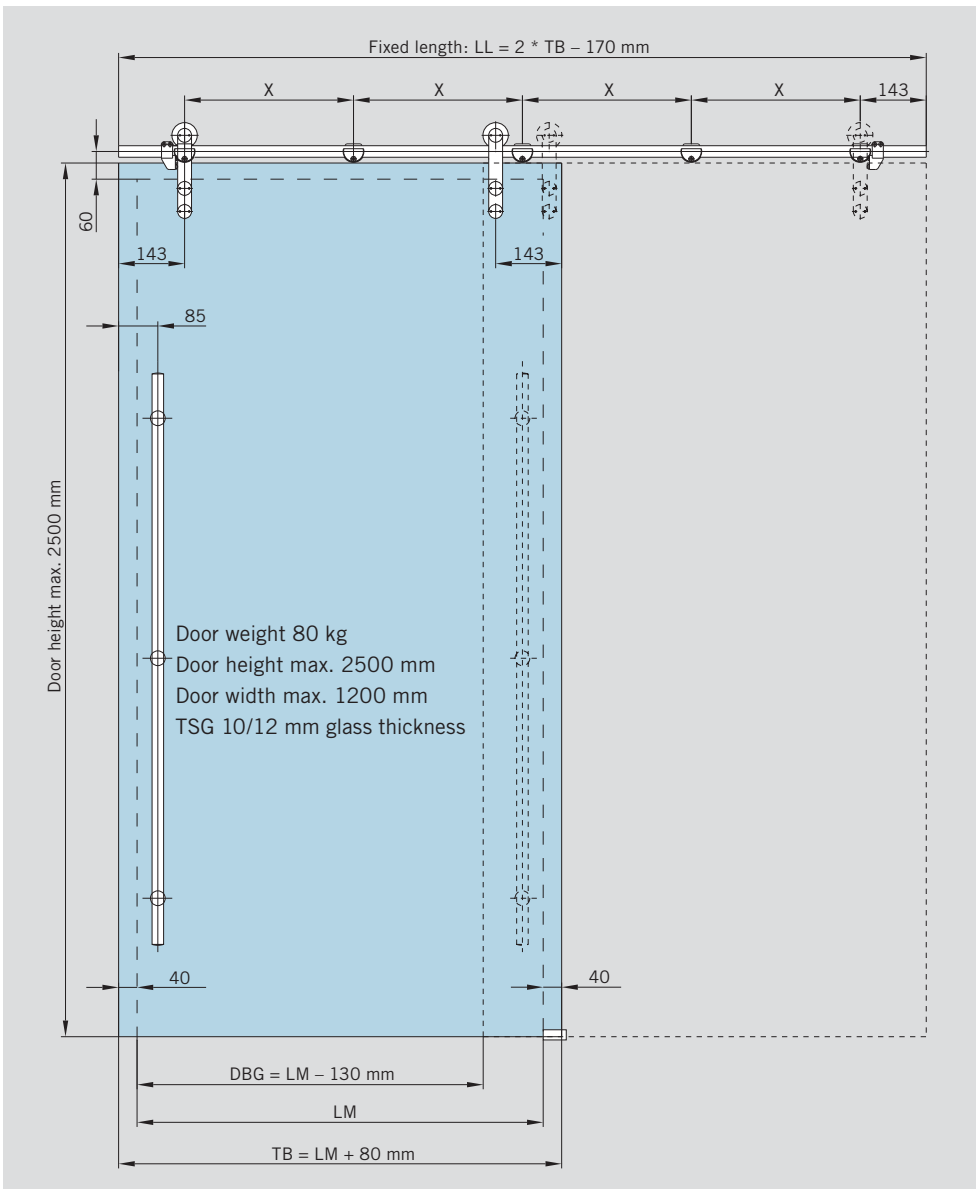
SET 4.1/4.2

Sliding door MANET COMPACT for installation at wall, for 8 – 12 mm glass



Set 4.1
with single-point fixings
countersunk

Set 4.2
with clamping disc single-point
fixings



- LM = Daylight opening
- TB = Door width
- DGB = Entry width
- LL = Tubular track length
- X = Distance of single-point fixings
- $(LM - 148) * 1/2$

For the requisite glass preparation please see pages 20 – 21

Sliding door MANET COMPACT for installation at wall, for 8 – 12 mm glass**Set 4.1 / Set 4.2**

consisting of:

5 Clamp fixings for track / wall
 2 Roller carriers CLASSIC
 incl. single-point fixings for 8 – 12 mm glass
 1 Door stop left hand
 1 Door stop right hand
 1 Floor guide AGILE
 Installation tools

Set 4.1
with single-point fixings
countersunk

Art. No. 29.916

Set 4.2
with clamping disc single-point
fixings

Art. No. 29.917**Set as above,**

but with 16 mm extended clamp fixing

Art. No. 29.925**Art. No. 29.926****Not covered by the set:**

Tubular track inclusive end cups in fixed length*

Art. No. 21.436**Art. No. 21.436**Tubular track, inclusive end cups,
stock length 3000 mm**Art. No. 21.527****Art. No. 21.527****Accessory options for Set 4.1 / Set 4.2****Pull handles / Recessed pull grip**

| | | | |
|---|----------------------|------------------------|------------------------|
| Pull handles | Length 350 mm | Art. No. 29.268 | Art. No. 21.240 |
| | Length 720 mm | Art. No. 29.271 | Art. No. 21.241 |
| | Length 1240 mm | Art. No. 29.274 | Art. No. 21.242 |
| | Length 1760 mm | Art. No. 29.277 | Art. No. 21.243 |
| Pair of pull handles | Length 350 mm | Art. No. 21.267 | |
| | Length 720 mm | Art. No. 21.270 | |
| | Length 1240 mm | Art. No. 21.273 | |
| | Length 1760 mm | Art. No. 21.276 | |
| Recessed pull grip Ø 60 mm | for 8/10/12 mm glass | Art. No. 21.291 | |
| Recessed pull grip with grip hole Ø 60 mm | for 8 mm glass | Art. No. 21.292 | |
| | for 10 mm glass | Art. No. 21.293 | |
| | for 12 mm glass | Art. No. 21.294 | |
| Door knob back-to-back | for 8 – 12 mm glass | Art. No. 21.423 | |
| Door knob one side fixing | for 8 – 12 mm glass | Art. No. 21.422 | Art. No. 21.426 |

Corner lock

| | | | |
|--|------------------------|--|--|
| Corner lock | Art. No. 21.448 | | |
| Corner lock with rose on one lock side | Art. No. 29.449 | | |
| Profile cylinder for corner lock 21.448/449 | Art. No. 14.206 | | |
| Eccentric bushing for corner lock 21.448/449 | Art. No. 05.194 | | |

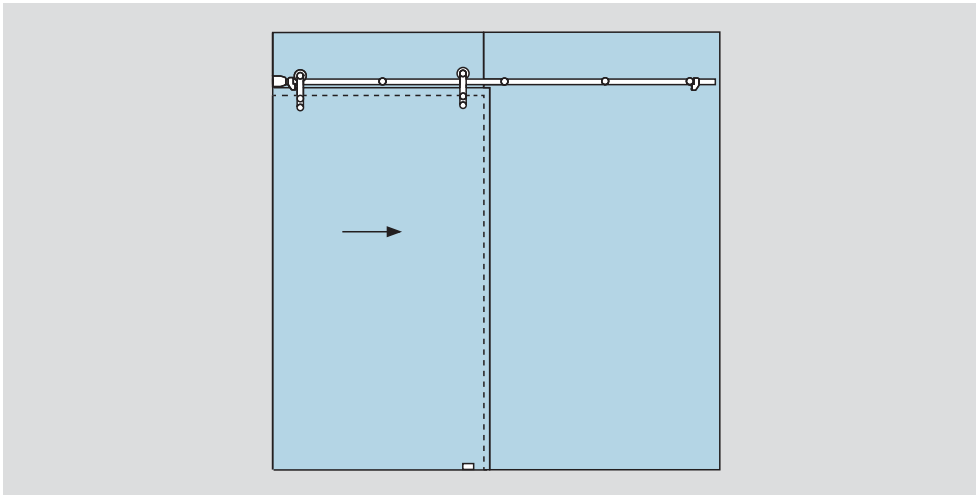
Further accessories

| | | | |
|---------------------------------------|---|------------------------|--|
| Aluminium guide rail with brush seals | stock length 3000 mm | Art. No. 21.432 | |
| | stock length 6000 mm | Art. No. 21.430 | |
| | Assembling tool for MANET single-point fixing | Art. No. 21.134 | |

* When ordering please indicate the necessary length! For calculation please see adjoining page

SET 5.1/5.2

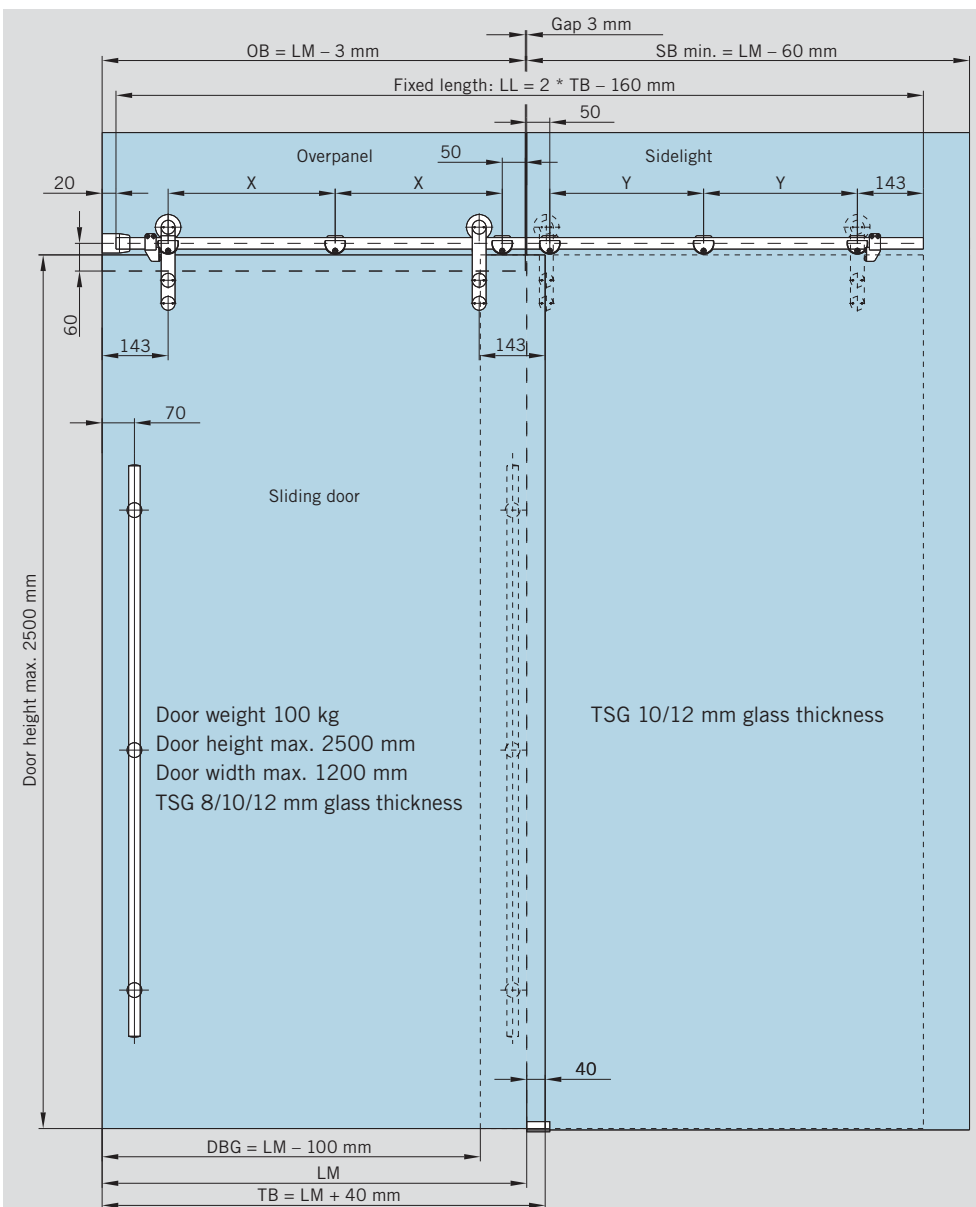
Sliding door MANET COMPACT for installation at glass, one side attached to masonry,



for sliding door 8 – 12 mm glass,
fixed element 10 – 12 mm glass

Set 5.1
with countersunk single-point
fixings

Set 5.2
with clamping disc single-point
fixing



- LM = Daylight opening
- TB = Door width
- DGB = Entry width
- SBmin. = min. Seitenteilbreite
- LL = Tubular track length
- X = Centre distance
between single-point
fixings overpanel
(OB - 193) * 1/2
- Y = Centre distance
between single-point
fixings sidelight
Y = X - 29
- OB = Overpanel width

For the requisite glass preparation please see pages 20 – 21

**Sliding door MANET COMPACT for installation at glass, one side attached to masonry,
for sliding door 8 – 12 mm glass,
fixed element 10 – 12 mm glass**

Set 5.1 / Set 5.2

consisting of:

- 6 Clamp fixings
fixing at glass
- 2 Roller carriers CLASSIC
incl. single-point fixings for 8 – 12 mm glass
- 1 Wall fixing
- 1 Door stop left hand
- 1 Door stop right hand
- 1 Floor guide AGILE
- Installation tools

**Set 5.1
with single-point fixings
countersunk**

Art. No. 29.918

**Set 5.2
with clamping disc single-point
fixings**

Art. No. 29.919

Not covered by the set:

Tubular track inclusive end cups fixed length*

Art. No. 21.436

Tubular track inclusive end cups,
stock length 3000 mm

Art. No. 21.527

Accessory options for Set 5.1 / Set 5.2

Pull handles / Recessed pull grip

| | | | |
|---|----------------------|------------------------|------------------------|
| Pull handles | Length 350 mm | Art. No. 29.268 | Art. No. 21.240 |
| | Length 720 mm | Art. No. 29.271 | Art. No. 21.241 |
| | Length 1240 mm | Art. No. 29.274 | Art. No. 21.242 |
| | Length 1760 mm | Art. No. 29.277 | Art. No. 21.243 |
| Pair of pull handles | Length 350 mm | Art. No. 21.267 | |
| | Length 720 mm | Art. No. 21.270 | |
| | Length 1240 mm | Art. No. 21.273 | |
| | Length 1760 mm | Art. No. 21.276 | |
| Recessed pull grip Ø 60 mm | for 8/10/12 mm glass | Art. No. 21.291 | |
| Recessed pull grip with grip hole Ø 60 mm | for 8 mm glass | Art. No. 21.292 | |
| | for 10 mm glass | Art. No. 21.293 | |
| | for 12 mm glass | Art. No. 21.294 | |
| Door knob back-to-back | for 8 – 12 mm glass | Art. No. 21.423 | |
| Door knob one side fixing | for 8 – 12 mm glass | Art. No. 21.422 | Art. No. 21.426 |

Corner lock

| | | | |
|--|------------------------|--|--|
| Corner lock | Art. No. 21.448 | | |
| Corner lock with rose on one lock side | Art. No. 29.449 | | |
| Profile cylinder for corner lock 21.448/449 | Art. No. 14.206 | | |
| Eccentric bushing for corner lock 21.448/449 | Art. No. 05.194 | | |

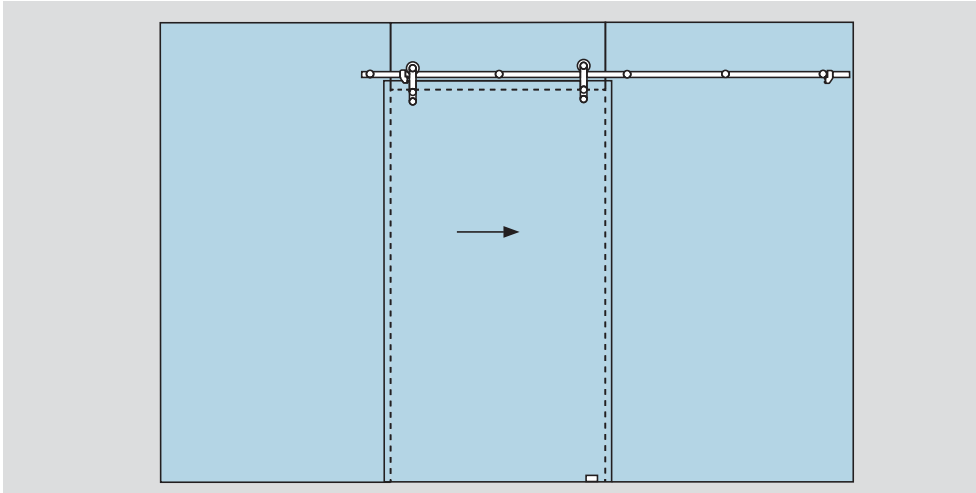
Further accessories

| | | | |
|---|--------------------------------------|------------------------|------------------------|
| Aluminium guide rail with brush seals | stock length 3000 mm | Art. No. 21.432 | |
| | stock length 6000 mm | Art. No. 21.430 | |
| | Ceiling connector (bearing function) | Art. No. 29.337 | Art. No. 29.338 |
| Assembling tool for MANET single-point fixing | Art. No. 21.134 | | |

* When ordering please indicate the necessary length! For calculation please see adjoining page

SET 6.1/6.2

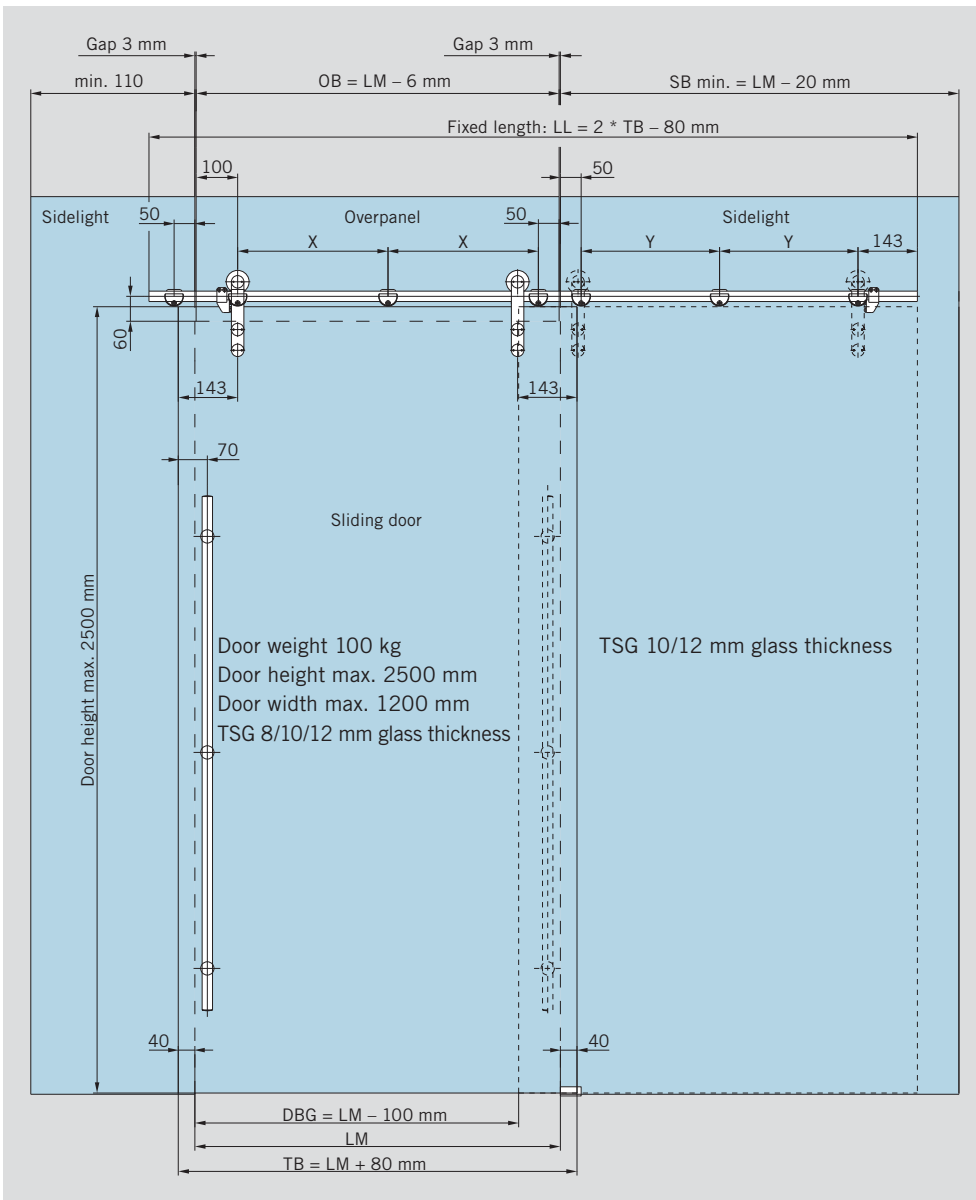
Sliding door MANET COMPACT for installation at glass, sidelights on both sides,



for sliding door 8 – 12 mm glass,
fixed element 10 – 12 mm glass

Set 6.1
with countersunk single-point
fixings

Set 6.2
with clamping disc single-point
fixing



- LM = Daylight opening
- TB = Door width
- DBG = Entry width
- OB = Overpanel width
- SBmin. = min. Seitenteilbreite
- LL = Tubular track length
- X = Centre distance between single-point fixings overpanel $(OB - 150) * 1/2$
- Y = Centre distance between single-point fixings sidelight $Y = X - 29$

For the requisite glass preparation please see pages 20 – 21

**Sliding door MANET COMPACT for installation at glass, sidelight on both sides,
for sliding door 8 – 12 mm glass,
fixed elements 10 – 12 mm glass**

Set 6.1 / Set 6.2

consisting of:

- 7 Clamp fixings
fixing at glass
- 2 Roller carriers CLASSIC
incl. single-point fixings for 8 – 12 mm glass
- 1 Door stop left hand
- 1 Door stop right hand
- 1 Floor guide AGILE
- Installation tools

**Set 6.1
with single-point fixings
countersunk**

Art. No. 29.920

**Set 6.2
with clamping disc single-point
fixings**

Art. No. 29.921

Not covered by the set:

Tubular track inclusive end cups fixed length*

Art. No. 21.436

Tubular track inclusive end cups,
stock length 3000 mm

Art. No. 21.527

Accessory options for Set 6.1 / Set 6.2

Pull handles / Recessed pull grip

| | | | |
|---|----------------------|------------------------|------------------------|
| Pull handles | Length 350 mm | Art. No. 29.268 | Art. No. 21.240 |
| | Length 720 mm | Art. No. 29.271 | Art. No. 21.241 |
| | Length 1240 mm | Art. No. 29.274 | Art. No. 21.242 |
| | Length 1760 mm | Art. No. 29.277 | Art. No. 21.243 |
| Pair of pull handles | Length 350 mm | Art. No. 21.267 | |
| | Length 720 mm | Art. No. 21.270 | |
| | Length 1240 mm | Art. No. 21.273 | |
| | Length 1760 mm | Art. No. 21.276 | |
| Recessed pull grip Ø 60 mm | for 8/10/12 mm glass | Art. No. 21.291 | |
| Recessed pull grip with grip hole Ø 60 mm | for 8 mm glass | Art. No. 21.292 | |
| | for 10 mm glass | Art. No. 21.293 | |
| | for 12 mm glass | Art. No. 21.294 | |
| Door knob back-to-back | for 8 – 12 mm glass | Art. No. 21.423 | |
| Door knob one side fixing | for 8 – 12 mm glass | Art. No. 21.422 | Art. No. 21.426 |

Corner lock

| | | | |
|--|------------------------|--|--|
| Corner lock | Art. No. 21.448 | | |
| Corner lock with rose on one lock side | Art. No. 29.449 | | |
| Profile cylinder for corner lock 21.448/449 | Art. No. 14.206 | | |
| Eccentric bushing for corner lock 21.448/449 | Art. No. 05.194 | | |

Further accessories

| | | | |
|---|--------------------------------------|------------------------|------------------------|
| Aluminium guide rail with brush seals | stock length 3000 mm | Art. No. 21.432 | |
| | stock length 6000 mm | Art. No. 21.430 | |
| | Ceiling connector (bearing function) | Art. No. 29.337 | Art. No. 29.338 |
| Assembling tool for MANET single-point fixing | Art. No. 21.134 | | |

* When ordering please indicate the necessary length! For calculation please see adjoining page



PULL HANDLES AND RECESSED PULL GRIP PROGRAM

Accessories

62 – 71



PULL HANDLES, DOOR KNOBS AND RECESSED PULL GRIP

The pull handle/knob system is designed for glass of 8, 10 and 12 mm thickness.

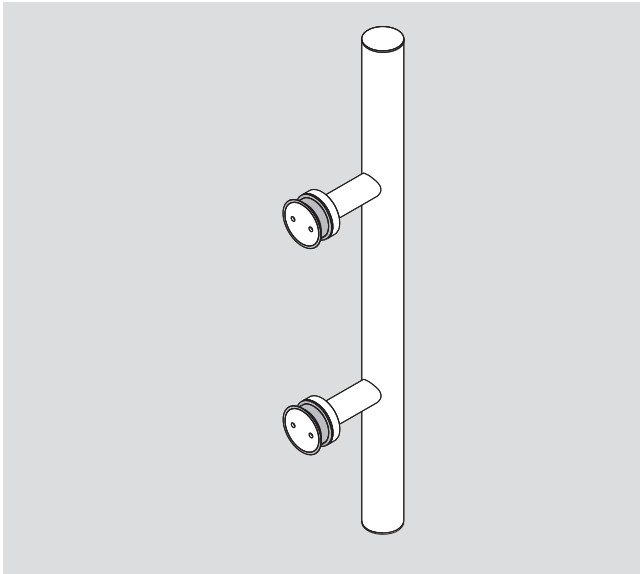
The pull handles can be fixed to both sliding and pivoting (swing) doors on one face using the appropriate connectors or on both faces by through-bolting (back-to-back arrangement).

The single-point fixings and through bolts are included as standard equipment in the scope of supply.

The pull handles can be fitted horizontally, vertically or in a handrail arrangement.

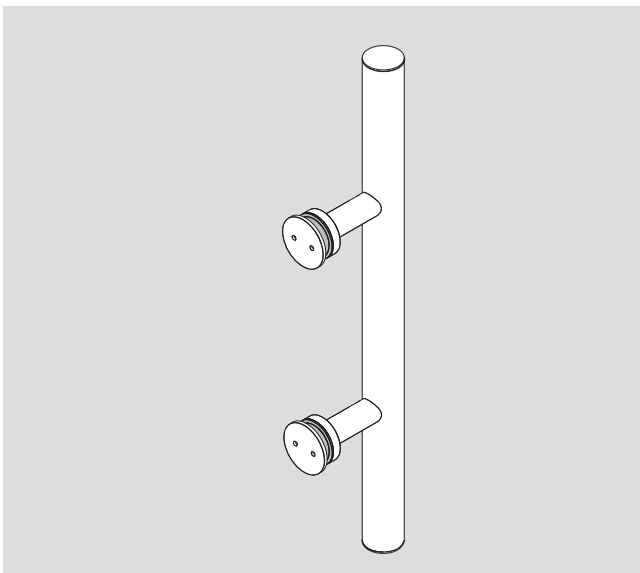


PULL HANDLES SINGLE



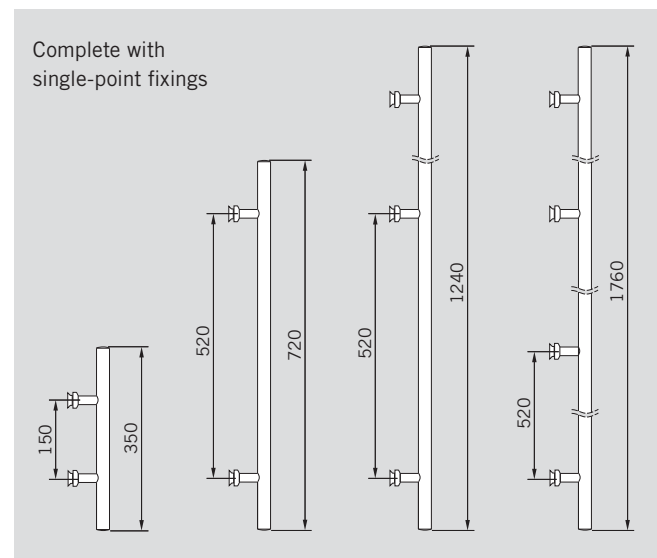
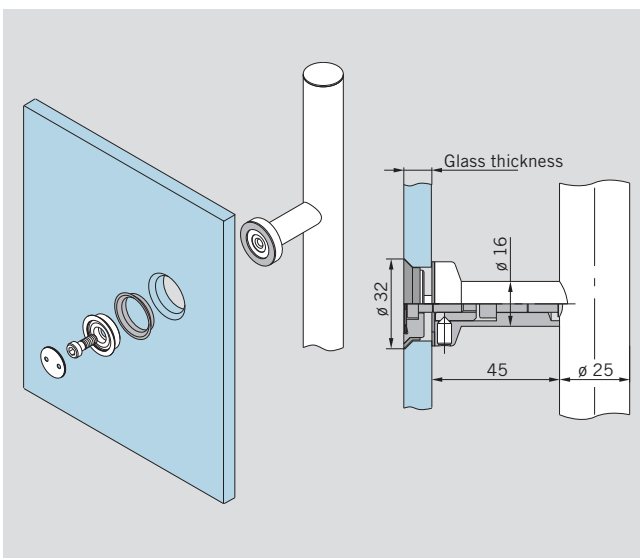
Pull handles with single-point fixings, countersunk
for 8/10/12 mm glass

- Pull handle 350 mm with 2 fixings **Art. No. 29.268**
- AISI 316L **Art. No. 29.269**
- Pull handle 720 mm with 2 fixings **Art. No. 29.271**
- AISI 316L **Art. No. 29.272**
- Pull handle 1240 mm with 3 fixings **Art. No. 29.274**
- AISI 316L **Art. No. 29.275**
- Pull handle 1760 mm with 4 fixings **Art. No. 29.277**
- AISI 316L **Art. No. 29.278**

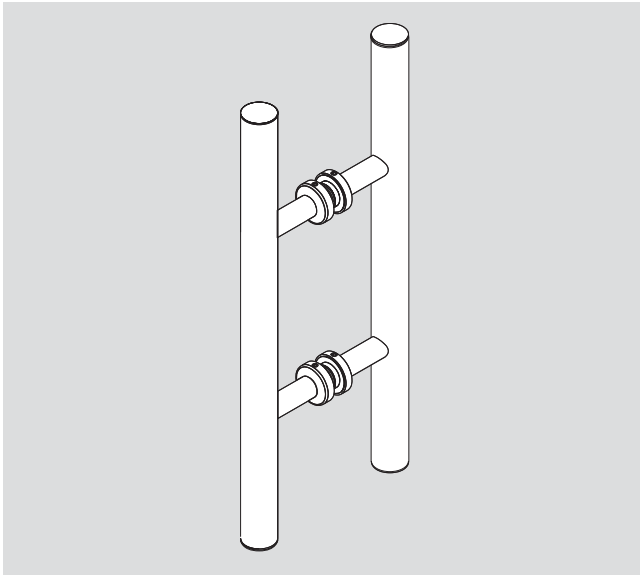


Pull handles with single-point fixings, clamping disc
for 8/10/12 mm glass

- Pull handle 350 mm with 2 fixings **Art. No. 21.240**
- Pull handle 720 mm with 2 fixings **Art. No. 21.241**
- AISI 316L **Art. No. 21.281**
- Pull handle 1240 mm with 3 fixings **Art. No. 21.242**
- Pull handle 1760 mm with 4 fixings **Art. No. 21.243**
- AISI 316L **Art. No. 21.283**



PAIR OF PULL HANDLES



**Pair of pull handles
incl. connecting bolt**
for 8/10/12 mm glass

Pair of pull handles 350 mm
with 2 fixings

Art. No. 21.267

AISI 316L

Art. No. 21.247

Pair of pull handles 720 mm
with 2 fixings

Art. No. 21.270

AISI 316L

Art. No. 21.250

Pair of pull handles 1240 mm
with 3 fixings

Art. No. 21.273

AISI 316L

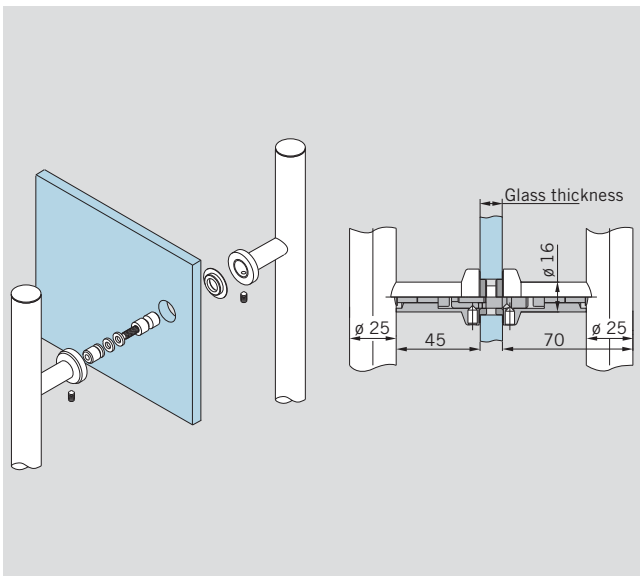
Art. No. 21.253

Pair of pull handles 1760 mm
with 4 fixings

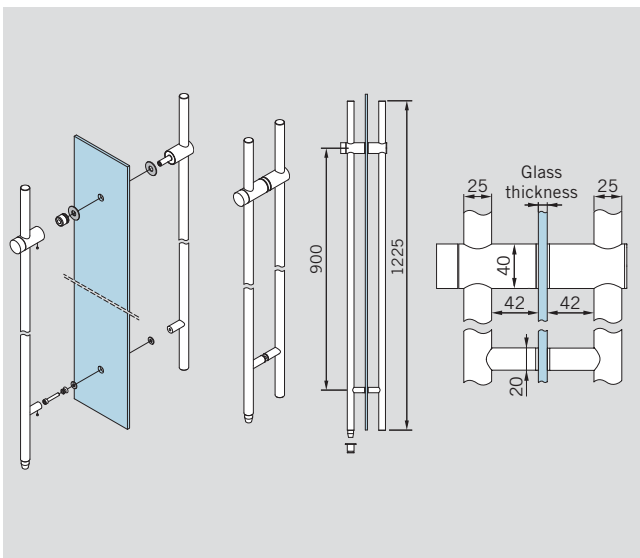
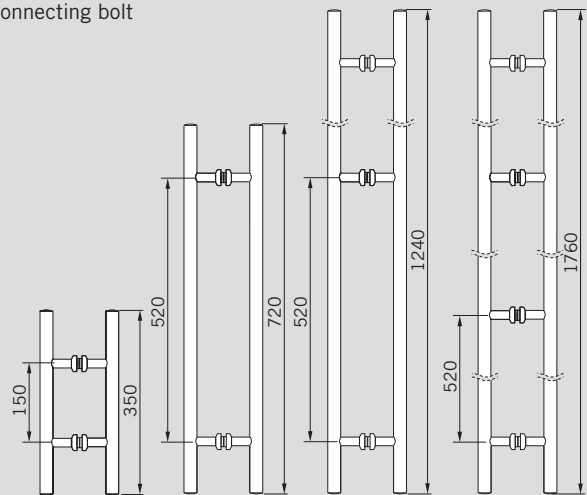
Art. No. 21.276

AISI 316L

Art. No. 21.256



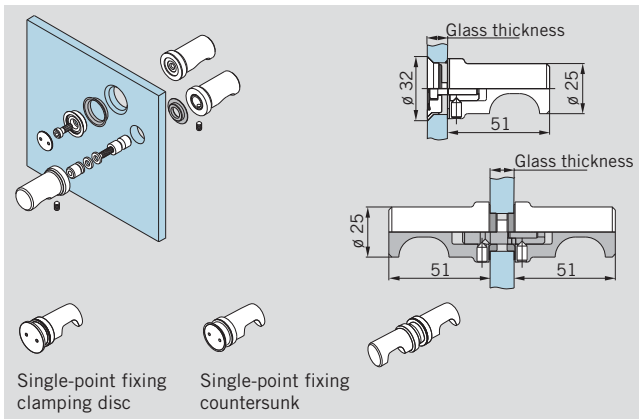
Complete incl.
connecting bolt



**Lockable back-to-back
handle bar,**
for 6 – 16 mm glass
1225 mm,
with 2 fixings,
complete with closing device
and cylinder

Art. No. 21.279

DOOR KNOBS



Door knob one side fixing

for 8/10/12 mm glass

Door knob with single-point fixing, countersunk

Art. No. 21.422

Door knob with single-point fixings, clamping disc

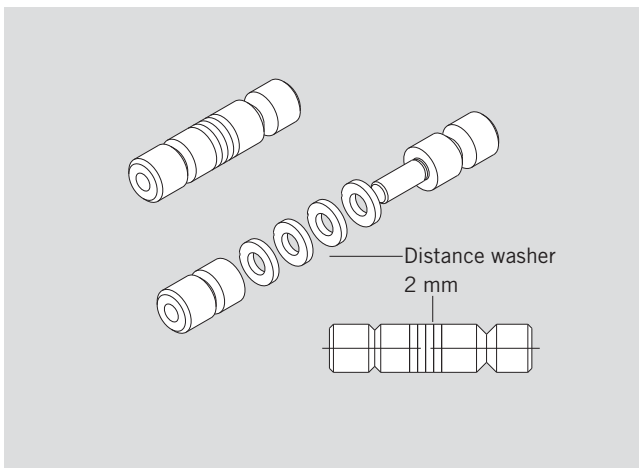
Art. No. 21.426

Door knob back-to-back

for 8/10/12 mm glass

Art. No. 21.423

SPACING ADJUSTMENT FOR PULL HANDLES AND DOOR KNOBS



Conversion set 1 for glass doors,

pair of pull handles/

knob back-to-back

door thickness 13.5 – 21.5 mm

Art. No. 21.285

Glass doors

Door thickness 13.5 mm:

without distance washer

Door thickness 15 mm:

with 1 distance washer

Door thickness 17.5 mm:

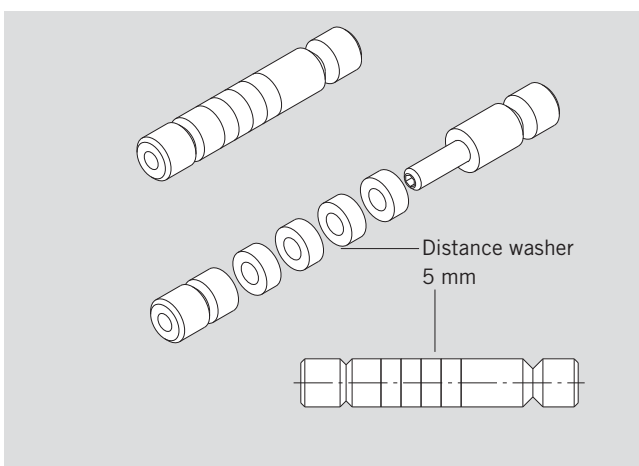
with 2 distance washer

Door thickness 19 mm:

with 3 distance washer

Door thickness 21.5 mm:

with 4 distance washer



Conversion set 2 for timber doors,

pair of pull handles /

knob back-to-back

door thickness 20 – 40 mm

Art. No. 21.286

Timber doors

Door thickness 20 mm:

without distance washer

Door thickness 25 mm:

with 1 distance washer

Door thickness 30 mm:

with 2 distance washer

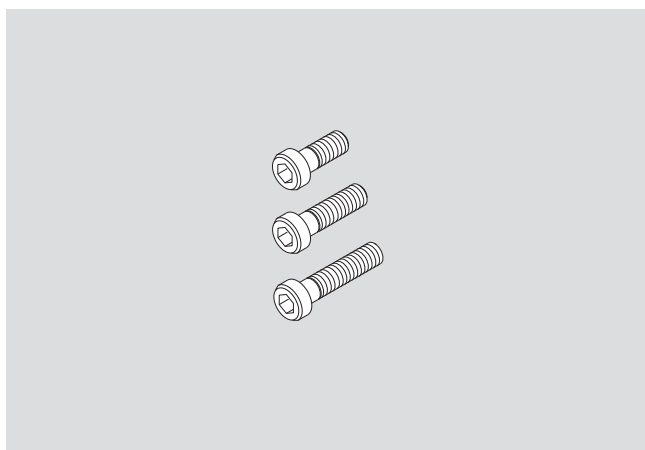
Door thickness 35 mm:

with 3 distance washer

Door thickness 40 mm:

with 4 distance washer

SPACING ADJUSTMENT FOR PULL HANDLES AND DOOR KNOBS

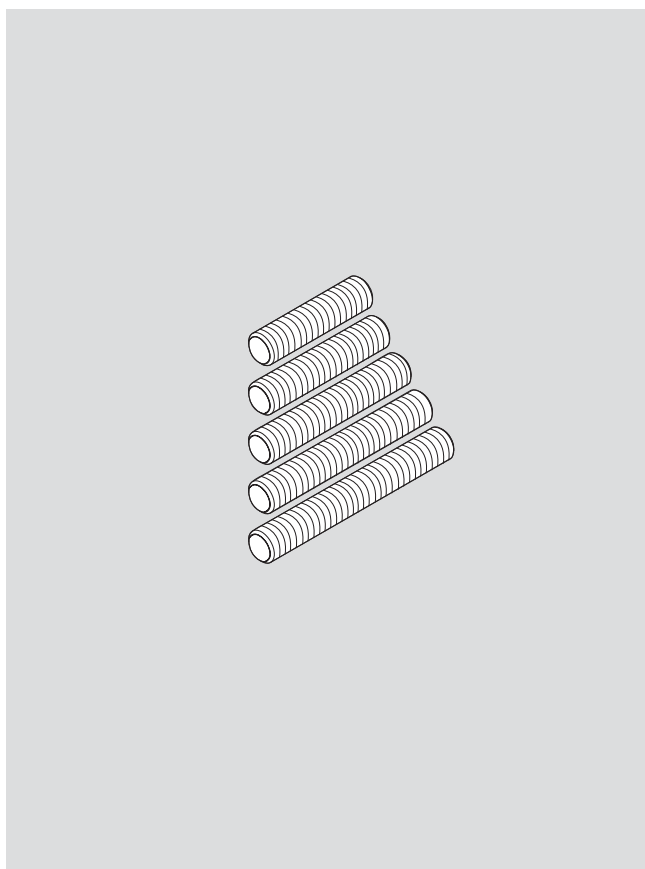


Conversion set 3
for glass / timber doors,
 pull handle / knob single-sided,
 single-point fixing
 door thickness 15 – 40 mm
 countersunk
 clamping disc

Art. No. 21.287

Art. No. 21.288

Glass doors / timber doors
 Door thickness 15 – 21.5 mm:
 Cylinder head screw M6x25
 Door thickness 25 – 30 mm:
 Cylinder head screw M6x35
 Door thickness 35 – 40 mm:
 Cylinder head screw M6x50



Conversion set 4
Recessed pull grip
 for glass doors

Art. No. 21.295

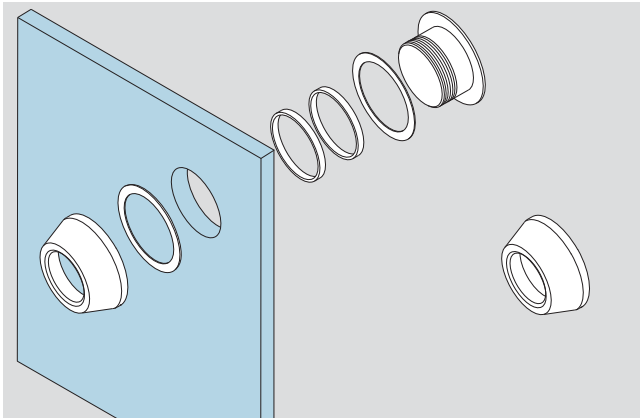
for timber doors

Art. No. 21.296

Glass doors
 Door thickness 13.5 mm:
 Grub screw 20 mm
 Door thickness 15 mm:
 Grub screw 22 mm
 Door thickness 17.5 mm:
 Grub screw 24 mm
 Door thickness 19 mm:
 Grub screw 25 mm
 Door thickness 21.5 mm:
 Grub screw 28 mm

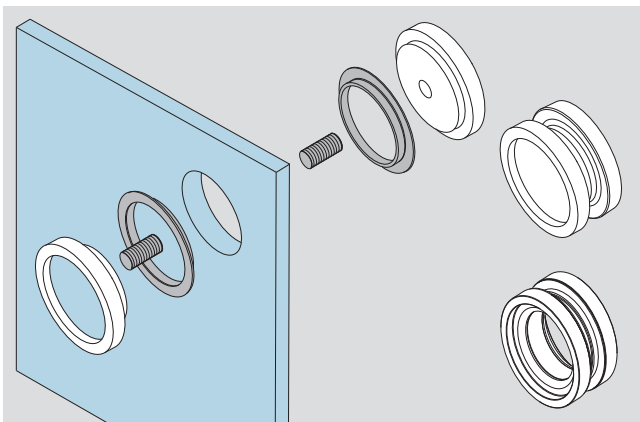
Timber doors
 Door thickness 20 mm:
 Grub screw 24 mm
 Door thickness 25 mm:
 Grub screw 28 mm
 Door thickness 30 mm:
 Grub screw 33 mm
 Door thickness 35 mm:
 Grub screw 38 mm
 Door thickness 40 mm:
 Grub screw 43 mm

RECESSED PULL GRIP UND ARCOS PULL HANDLE



Recessed pull grip
 Ø 50 mm
 for 8/10/12 mm glass

Art. No. 21.290



Recessed pull grip
 Ø 60 mm
 for 8/10/12 mm glass

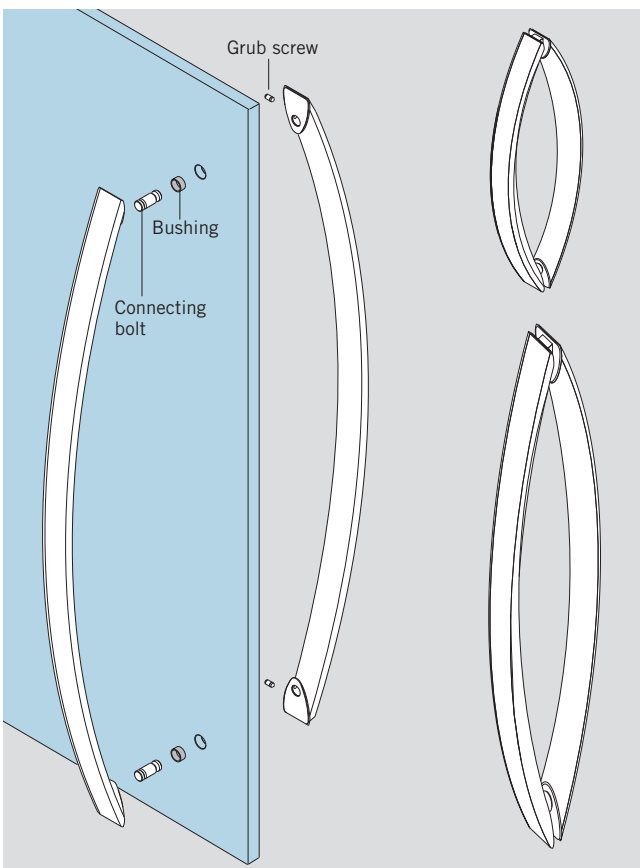
Art. No. 21.291

Recessed pull grip with grip hole
 Ø 60 mm
 for 8 mm glass
 for 10 mm glass
 for 12 mm glass

Art. No. 21.292

Art. No. 21.293

Art. No. 21.294



ARCOS pair of pull handle
 for 8/10/12 mm glass
 incl. connecting bolt

only in AISI 316L

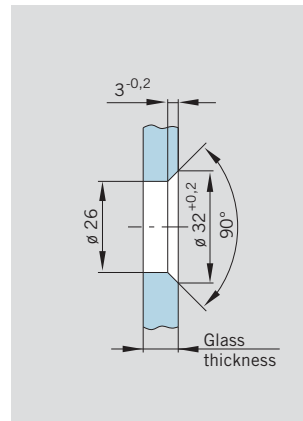
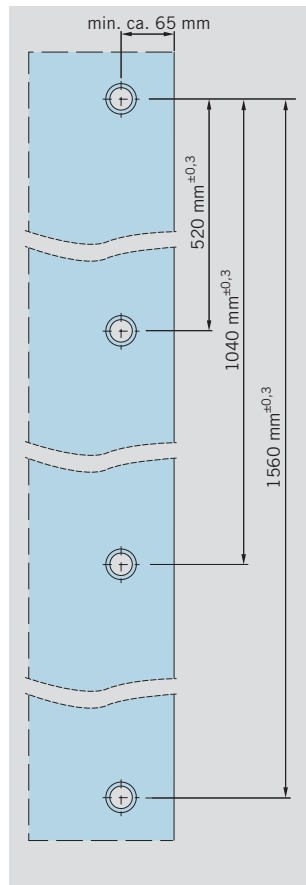
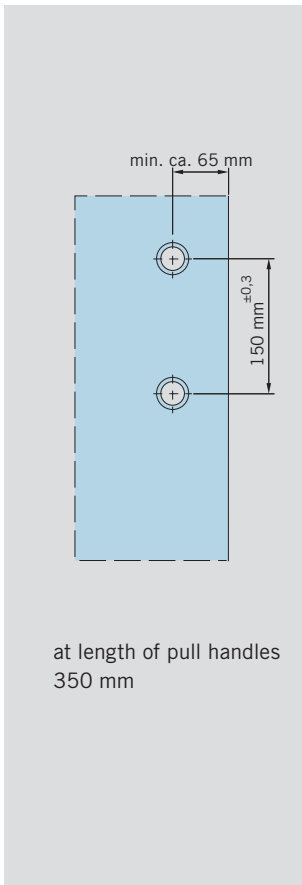
Pull handle 350 mm
 with 2 fixings

Art. No. 26.500

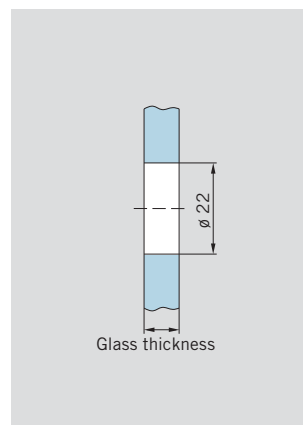
Pull handle 750 mm
 with 2 fixings

Art. No. 26.510

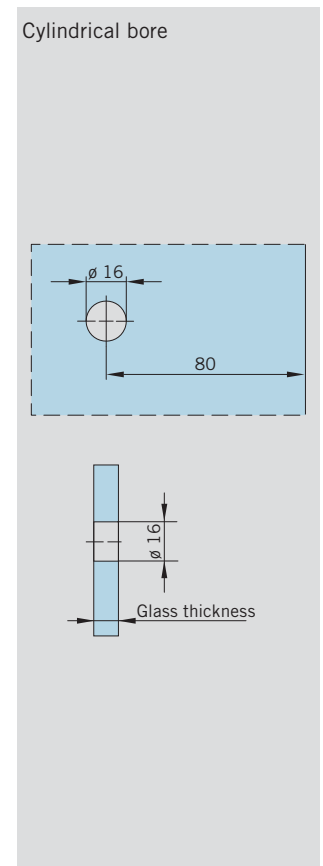
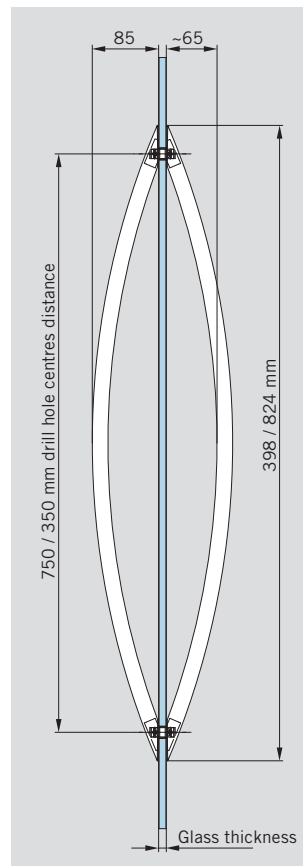
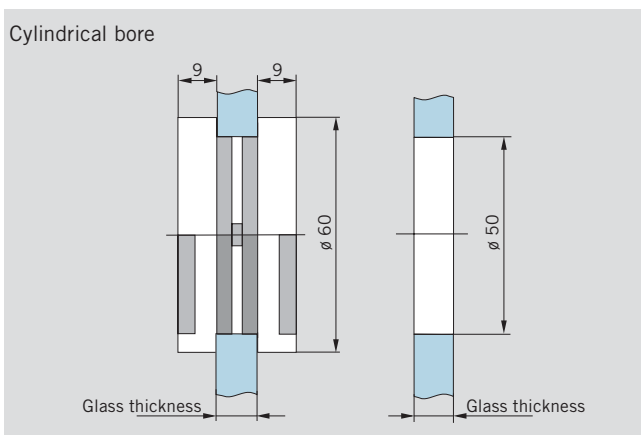
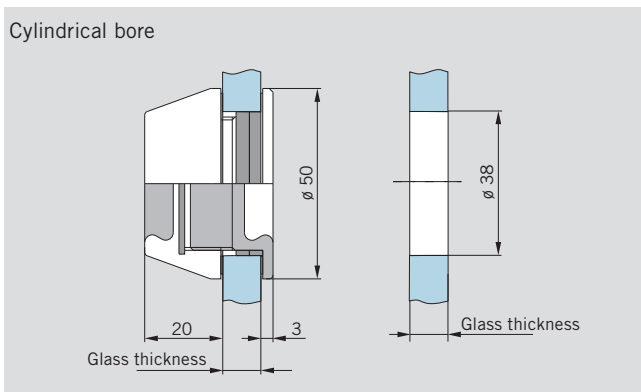
GLASS PREPARATION FOR PULL HANDLES AND DOOR KNOBS



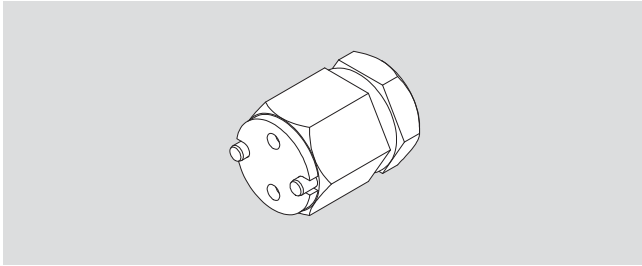
Countersunk bore on pull handle and door knob, one side fixing



Cylindrical bore on pair of pull handles and door knobs, back-to-back

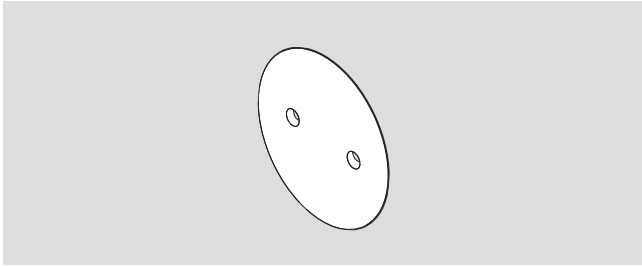


ACCESSORIES / INSTALLATION TOOLS



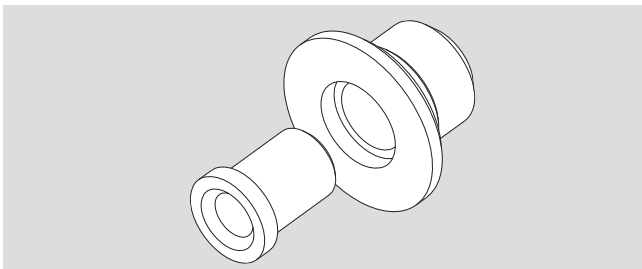
**Assembling tool for
MANET Single-point fixing**

Art. No. 21.134



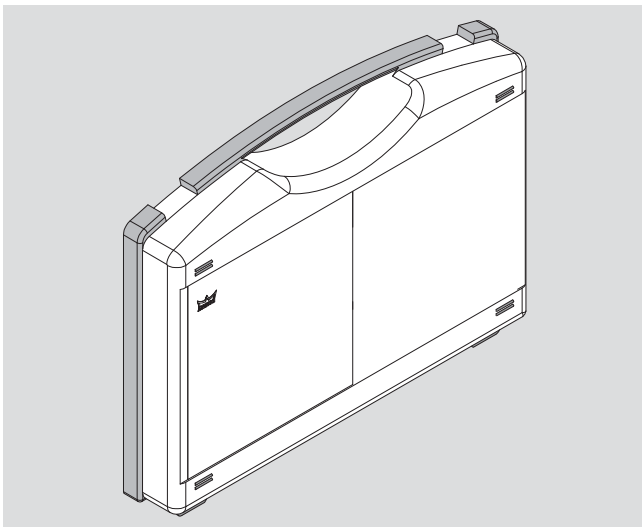
**Clip-on cover for
single-point fixing
with spring,**
5 pieces

Art. No. 29.217



**Assembling tool for
MANET single-point fixing**
(can also be used as attachment
for torque wrench)

Art. No. 21.137



Sample case

Art. No. 21.995

PLANNING TOOLS



For planning of intelligent glass solutions we offer you several planning tools which allow you to create secure and professional solutions for any kinds of glass doors and toughend glass assemblies.

The **planning tools MANET COMPACT** enable you to prepare designs quickly, reliably and professionally. The software provides you with all necessary documentation such as dimensioned technical drawings, glass sizes and preparation measures.

Your benefits:

- Easy to operate
- Professional and error-free preparation of offers
- Rapid response to incoming requests for quotations
- Highly reduced planning costs for time and money savings

SAFETY-RELATED INFORMATION

Important safety-related information for the mounting and use of DORMA glass fittings

(Follow these instructions in addition to the mounting and operating instructions in order to avoid damage of product and damage to person or property.)

Important: All users have to be informed about relevant points mentioned in these safety-related information and the mounting and operating instructions!

General information

1. DORMA recommends using TSG-H (heat soaked toughened safety glass) to DIN EN 12150-1.
2. DORMA glass fittings are not suitable for application in rooms where chemicals (e. g. chlorine) are used such as indoor swimming pools, saunas or salt-water pools.
3. Never move sliding panels faster than walking speed and always stop the door manually before it reaches end position.
4. Do not shut swing doors with excessive force. Install door stop to prevent door from opening too far.

Mounting

1. Only properly qualified and specially trained staff is authorised to mount DORMA glass fittings.
2. Never use glass with conchoidal fractures and/or damaged edges.
3. Due to crushing hazards – among others in the area of the secondary closing edge – and possible injury caused by breakage of glass during mounting, corresponding protective clothing (especially gloves and protective goggles) is required.
4. Clean clamping area with fat solvent (standard commercial cleaning agent) before mounting the glass fitting.
5. Never use clamping shoes on structured glass surfaces (except on satined glass) or glass of heavily varying thickness unless with a corresponding levelling layer.
6. Never use clamping shoes on self-cleaning coatings.
7. When adjusting glass elements, always stick to the required clearance for the respective fitting. Adjust clearance so that the glass does not touch hard components such as glass, metal or concrete.
8. Make sure not to use excessive force when installing the glass (avoid local stress resulting from very tight screws).

Maintenance

Check fittings at regular intervals for proper positioning and smooth running and door for correct adjustment. Especially highly-frequented door systems require inspection by properly qualified staff (specialised companies or installation firms). Immediately replace damaged glass elements (no glass flaking and/or conchoidal fractures)!

Subject to change without notice.

For practical planning, please use our drawings DORMA-Glas DETAIL.



DORMA GmbH+Co. KG
DORMA Platz 1
58256 ENNEPETAL
GERMANY
Phone +49 2333 793-0
Fax +49 2333 793-4950
www.dorma.com

DORMA-Glas GmbH
Max-Planck-Straße 33-45
32107 BAD SALZUFLEN
GERMANY
Phone +49 5222 924-100
Fax +49 5222 924-3100
www.dorma.com